

Flow resistance

<https://www.schmalz.com/10.05.04.00092>



SW 130 P

Part no.: 10.05.04.00092

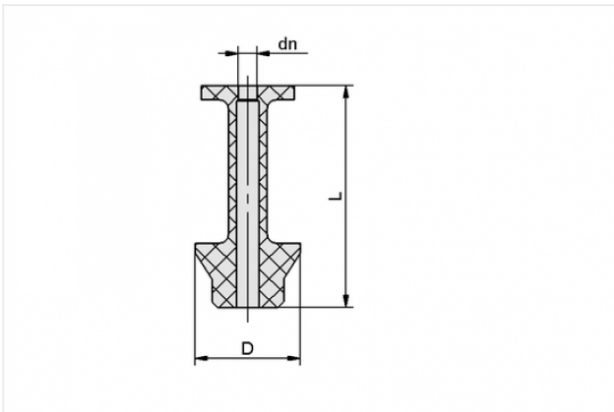
Homepage > Vacuum Technology for Automation > Vacuum Components > Vacuum Suction Cups > Suction Cups for Packaging > SW 130 P

Flow resistor for reduction of the volume flow rate



Nominal size: 1.30 mm
Shape: Push In
Length: 15.5 mm
Material: Polyoxymethylene

Design Data



Attribute	Value
dn	1.3 mm
D	7.3 mm
L	15.5 mm

Technical Data

Attribute	Value
Material	Polyoxymethylene
Weight	0.26 g

Contact to Schmalz

J. Schmalz GmbH | Johannes-Schmalz-Straße, 72293 Glatten, Deutschland | +49 7443 2403-102 | customercenter@schmalz.de

