

Flow resistance

<https://www.schmalz.com/10.05.04.00090>



SW 80 P

Part no.: 10.05.04.00090

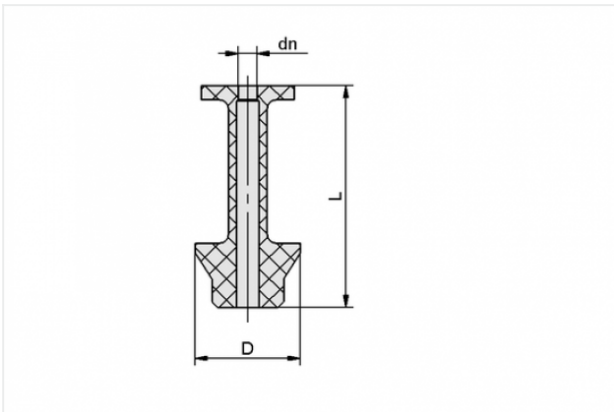
Homepage > Vacuum Technology for Automation > Vacuum Components > Vacuum Suction Cups > Suction Cups for Packaging > SW 80 P

Flow resistor for reduction of the volume flow rate



Nominal size: 0.80 mm
Shape: Push In
Length: 15.5 mm
Material: Polyoxymethylene

Design Data



Attribute	Value
dn	0.8 mm
D	7.3 mm
L	15.5 mm

Technical Data

Attribute	Value
Material	Polyoxymethylene
Weight	0.28 g

Contact to Schmalz

J. Schmalz GmbH | Johannes-Schmalz-Straße, 72293 Glatten, Deutschland | +49 7443 2403-102 | customercenter@schmalz.de



Contact to Schmalz

J. Schmalz GmbH | Johannes-Schmalz-Straße, 72293 Glatten, Deutschland | +49 7443 2403-102 |
customercenter@schmalz.de