

Filter disc

FD 16 120

Part no.: 10.01.06.02565

<https://www.schmalz.com/10.01.06.02565>



Homepage > Vacuum Technology for Automation > Vacuum Components > Vacuum Suction Cups > Accessories Vacuum Suction Cups > Filter

Discs FD > FD 16 120

Filter disc



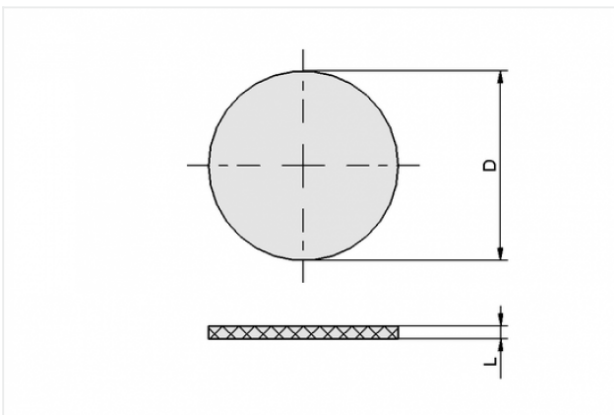
External diameter D: 16 mm

Filter pore size: 120 µm

for: Bellows suction pad

Size: FG20/FGA20

Design Data



Attribute	Value
D	16 mm
L	1.5 mm

Technical Data

Attribute	Value
Size	FG20/FGA20
Material	Polyethylene

Contact to Schmalz

J. Schmalz GmbH | Johannes-Schmalz-Straße, 72293 Glatten, Deutschland | +49 7443 2403-102 | customercenter@schmalz.de



Attribute	Value
Filter pore size	120 µm
Weight	0.2 g
