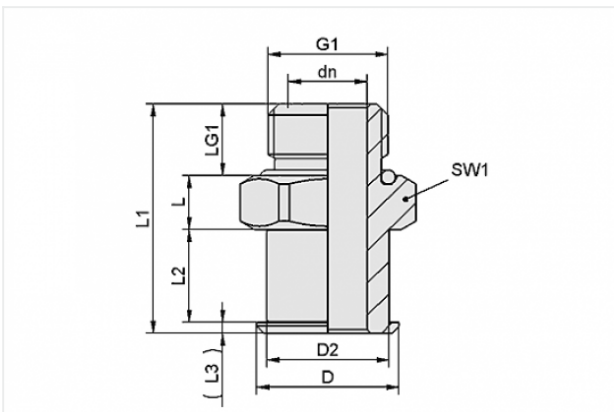


Connection element for suction cup SchmalzConnector



Connection geometry: 090
 Vacuum connection: G3/8-M
 Overall length: 33.5 mm
 Fitting length: 7.5 mm
 Nominal diameter dn: 10.3 mm

Design Data



| Attribute | Value |
|-----------|---------|
| dn | 10.3 mm |
| D | 25 mm |
| D2 | 21 mm |
| G1 | G3/8"-M |
| L | 7.5 mm |
| L1 | 33.5 mm |
| L2 | 14 mm |
| L3 | 2 mm |
| LG1 | 10 mm |
| SW1 | 27 mm |

Technical Data

| Attribute | Value |
|---------------------|-----------|
| Connection geometry | 090 |
| Material | Aluminium |
| Weight | 21.5 g |
