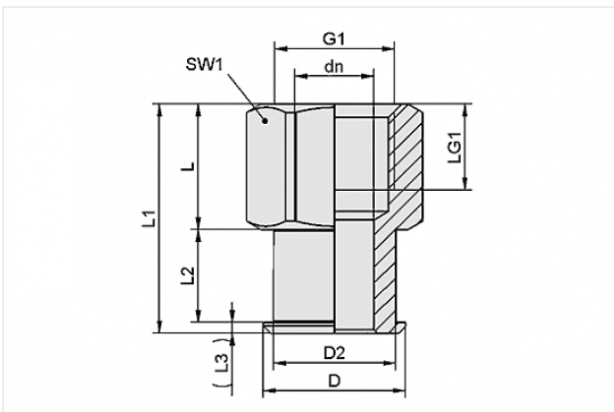


## Connection element for suction cup SchmalzConnector



Connection geometry: 090  
 Vacuum connection: G1/4-F  
 Overall length: 37.5 mm  
 Fitting length: 21.5 mm  
 Nominal diameter dn: 11.4 mm

### Design Data



Attribute	Value
dn	11.4 mm
D	25 mm
D2	21 mm
G1	G1/4"-F
L	21.5 mm
L1	37.5 mm
L2	14 mm
L3	2 mm
LG1	12 mm
SW1	27 mm

## Technical Data

Attribute	Value
Connection geometry	090
Material	Aluminium
Weight	42.1 g

---

---