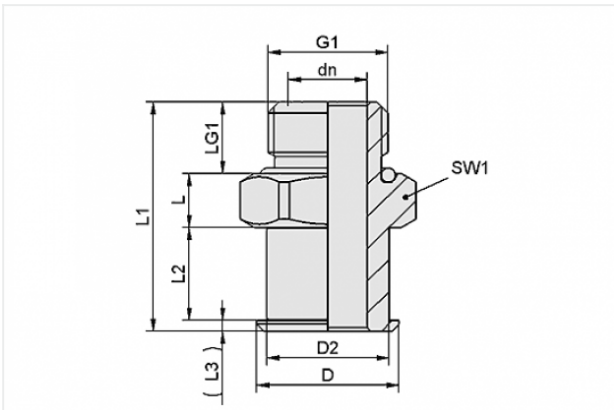


Connection element for suction cup SchmalzConnector



Connection geometry: 090
 Vacuum connection: G1/4-M
 Overall length: 33.5 mm
 Fitting length: 7.5 mm
 Nominal diameter dn: 8 mm

Design Data



Attribute	Value
dn	8 mm
D	25 mm
D2	21 mm
G1	G1/4"-M
L	7.5 mm
L1	33.5 mm
L2	14 mm
L3	2 mm
LG1	10 mm
SW1	27 mm

Technical Data

Attribute	Value
Connection geometry	090
Material	Aluminium
Weight	21.3 g
