

Bellows suction cup (round)

<https://www.schmalz.com/10.01.06.03654>



SPB2f 50 SI-55 G1/4-AG

Part no.: 10.01.06.03654

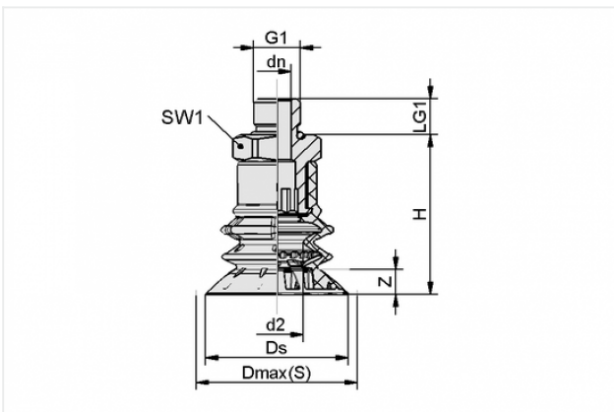
Homepage > Vacuum Technology for Automation > Vacuum Components > Vacuum Suction Cups > Suction Cups for Packaging > Bellows Suction Cups SPB2f (2.5 Folds) > SPB2f 50 SI-55 G1/4-AG

Bellows suction cup (round) for very uneven workpieces



Size: 50
Suction cup material: Silicone SI
Material hardness: 55 °Sh
Thread G1: G1/4-M
Number of folds: 2.5

Design Data



Attribute	Value
-----------	-------

d2	21 mm
----	-------

dn	8 mm
----	------

Dmax(S)	52 mm
---------	-------

Ds	49.7 mm
----	---------

G1	G1/4"-M
----	---------

H	53.1 mm
---	---------

LG1	10 mm
-----	-------

SW1	27 mm
-----	-------

Z	9 mm
---	------

Contact to Schmalz

J. Schmalz GmbH | Johannes-Schmalz-Straße, 72293 Glatten, Deutschland | +49 7443 2403-102 | customercenter@schmalz.de

Technical Data

Attribute	Value
Suction force at -200 mbar	13.7 N
Suction force at -400 mbar	27.3 N
Suction force	41 N
Volume	26.452 cm ³
Internal hose diameter (recom.)	12 mm
Size	50
Number of folds	2.5
Suction cup material	Silicone SI
Material hardness	55 °Sh
Weight	37.8 g
Product family	SPB2f

Spare Parts



SC 090 G1/4-AG

Part no. 10.01.06.02793

Connection element for suction cup SchmalzConnector

Connection geometry: 090

Vacuum connection: G1/4-M

Overall length: 33.5 mm

Fitting length: 7.5 mm

Nominal diameter dn: 8 mm

Contact to Schmalz



SPB2f 50 SI-55 SC090

Part no. 10.01.06.03560

Bellows suction cup (round) for very uneven workpieces

Size: 50

Suction cup material: Silicone SI

Material hardness: 55 °Sh

Material characteristics:

FDA-compatible

Number of folds: 2.5

Accessories



SSB 20-32 ST-VZ

Part no. 10.07.10.00003

Hose clamp for securing smooth hoses

Clamping range: 20.0 ... 32.0 mm

Material: Steel galvanised



SIEB 19.5x1 MS-A2 103

Part no. 10.07.01.00321

Screen

External diameter D: 19.5 mm

Length L: 1 mm

Material: Brass / Stainless steel

Filter pore size: 103 µm