

Bellows suction cup (round)

<https://www.schmalz.com/10.01.06.03560>



SPB2f 50 SI-55 SC090

Part no.: 10.01.06.03560

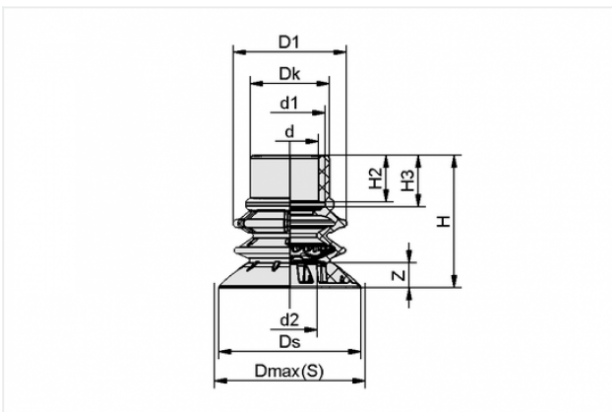
Homepage > Vacuum Technology for Automation > Vacuum Components > Vacuum Suction Cups > Suction Cups for Packaging > SPB2f 50 SI-55 SC090

Bellows suction cup (round) for very uneven workpieces



Size: 50
Suction cup material: Silicone SI
Material hardness: 55 °Sh
Material characteristics:
FDA-compatible
Number of folds: 2.5

Design Data



Attribute	Value
-----------	-------

d	20 mm
---	-------

d1	24.8 mm
----	---------

d2	21 mm
----	-------

D1	41.6 mm
----	---------

Dk	31 mm
----	-------

Dmax(S)	52 mm
---------	-------

Ds	49.7 mm
----	---------

H	45.6 mm
---	---------

H2	14 mm
----	-------

H3	16 mm
----	-------

Z	9 mm
---	------

Contact to Schmalz

J. Schmalz GmbH | Johannes-Schmalz-Straße, 72293 Glatten, Deutschland | +49 7443 2403-102 | customercenter@schmalz.de

Technical Data

Attribute	Value
Suction force at -200 mbar	13.7 N
Suction force at -400 mbar	27.3 N
Suction force	41 N
Volume	26.452 cm ³
Internal hose diameter (recom.)	12 mm
Size	50
Nipple	SC 090
Number of folds	2.5
Suction cup material	Silicone SI
Material hardness	55 °Sh
Weight	16.4 g
Product family	SPB2f
