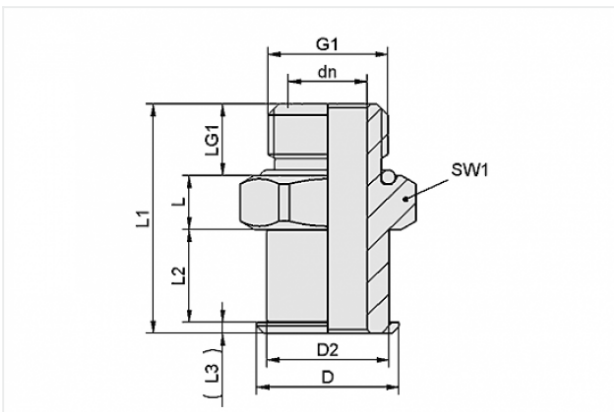


## Connection element for suction cup SchmalzConnector



Connection geometry: 090  
Vacuum connection: G1/8-M  
Overall length: 31 mm  
Fitting length: 7.5 mm  
Nominal diameter dn: 4 mm

### Design Data



Attribute	Value
dn	4 mm
D	25 mm
D2	21 mm
G1	G1/8"-M
L	7.5 mm
L1	31 mm
L2	14 mm
L3	2 mm
LG1	7.5 mm
SW1	27 mm

## Technical Data

Attribute	Value
Connection geometry	090
Material	Aluminium
Weight	28.3 g

---

---