

## Bellows suction cup (round)

SPB2f 50 SI-55 G1/8-AG

Part no.:10.01.06.03652

<https://www.schmalz.com/10.01.06.03652>

Homepage > Vacuum Technology for Automation > Vacuum Components > Vacuum Suction Cups > Suction Cups for Packaging > Bellows

Suction Cups SPB2f (2.5 Folds) > SPB2f 50 SI-55 G1/8-AG

### Bellows suction cup (round) for very uneven workpieces



Size: 50

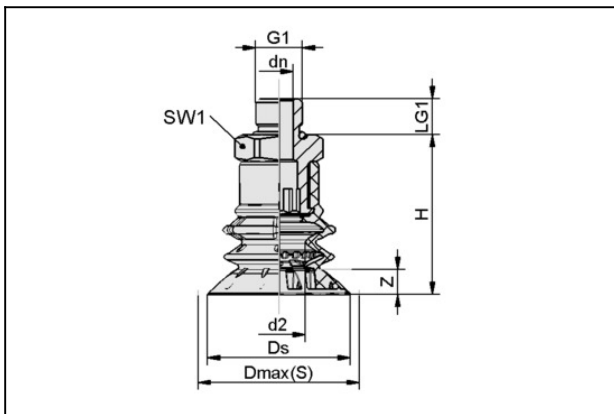
Suction cup material: Silicone SI

Material hardness: 55 °Sh

Thread G1: G1/8"-M

Number of folds: 2.5

### Design Data



Attribute	Value
d2	21 mm
dn	4 mm
Dmax(S)	52 mm
Ds	49.7 mm
G1	G1/8"-M
H	53.1 mm
LG1	7.5 mm
SW1	27 mm
Z (Stroke)	9 mm

### Technical Data

#### Contact to Schmalz

J. Schmalz GmbH | Johannes-Schmalz-Straße, 72293 Glatten, Deutschland | +49 7443 2403-102 | [customercenter@schmalz.de](mailto:customercenter@schmalz.de)

## Bellows suction cup (round)

SPB2f 50 SI-55 G1/8-AG

Part no.:10.01.06.03652

<https://www.schmalz.com/10.01.06.03652>

Attribute	Value
Suction force at -200 mbar	13.7 N
Suction force at -400 mbar	27.3 N
Suction force	41 N
Volume	26.452 cm <sup>3</sup>
Hose diameter (empf.) d	12 mm
Size	50
Number of folds	2.5
Suction cup material	Silicone SI
Material hardness [Shore A]	55
Weight	44.6 g
Product family	SPB2f

### Spare Parts



#### SC 090 G1/8-AG

Part no.10.01.06.03269

Connection element for suction cup "SchmalzConnector"

Connection geometry: 090

Vacuum connection: G1/8"-M

Overall length: 31 mm

Fitting length: 7.5 mm

Nominal diameter dn: 4 mm

## Bellows suction cup (round)

SPB2f 50 SI-55 G1/8-AG

Part no.:10.01.06.03652

<https://www.schmalz.com/10.01.06.03652>



### SPB2f 50 SI-55 SC090

Part no.10.01.06.03560

Bellows suction cup (round) for very uneven workpieces

Size: 50

Suction cup material: Silicone SI

Material hardness: 55 °Sh

Material characteristics:

FDA-compatible

Number of folds: 2.5

## Accessories



### SIEB 19.5x1 MS-A2 103

Part no.10.07.01.00321

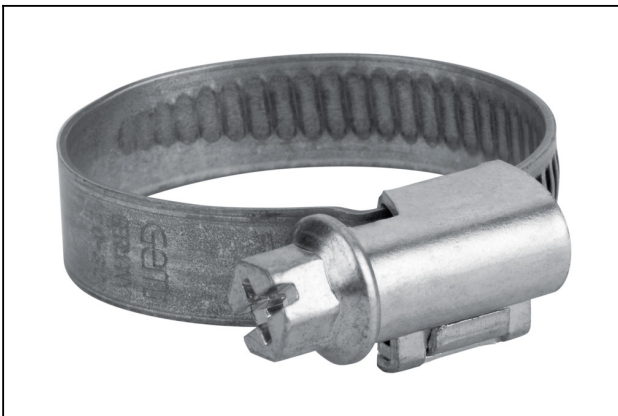
Screen

External diameter D: 19.5 mm

Length L: 1 mm

Material: Brass / Stainless steel

Filter pore size: 103 µm



### SSB 20-32 ST-VZ

Part no.10.07.10.00003

Hose clamp for securing smooth hoses

Clamping range: 20.0 ... 32.0 mm

Material: Steel galvanised