

# Bellows suction cup (round)

<https://www.schmalz.com/10.01.06.03649>



## SPB2f 40 SI-55 G1/4-IG

Part no.: 10.01.06.03649

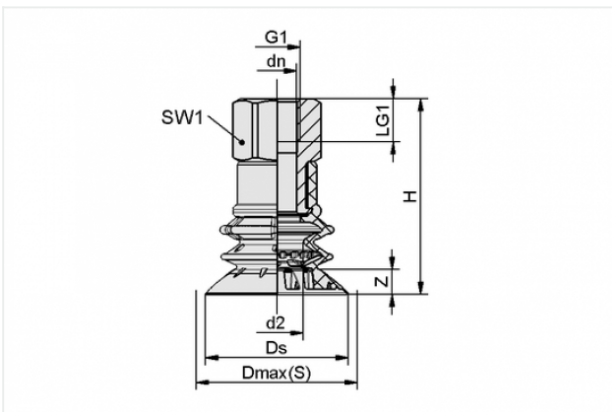
Homepage > Vacuum Technology for Automation > Vacuum Components > Vacuum Suction Cups > Suction Cups for Packaging > Bellows Suction Cups SPB2f (2.5 Folds) > SPB2f 40 SI-55 G1/4-IG

### Bellows suction cup (round) for very uneven workpieces



Size: 40  
Suction cup material: Silicone SI  
Material hardness: 55 °Sh  
Thread G1: G1/4-F  
Number of folds: 2.5

### Design Data



Attribute	Value
d2	15.3 mm
dn	11 mm
Dmax(S)	42 mm
Ds	39.7 mm
G1	G1/4"-F
H	54.5 mm
LG1	12 mm
SW1	22 mm
Z	7 mm

### Contact to Schmalz

J. Schmalz GmbH | Johannes-Schmalz-Straße, 72293 Glatten, Deutschland | +49 7443 2403-102 | [customercenter@schmalz.de](mailto:customercenter@schmalz.de)

## Technical Data

Attribute	Value
Suction force at -200 mbar	6.8 N
Suction force at -400 mbar	13.6 N
Suction force	20.4 N
Volume	12.887 cm <sup>3</sup>
Internal hose diameter (recom.)	9 mm
Size	40
Number of folds	2.5
Suction cup material	Silicone SI
Material hardness	55 °Sh
Weight	28.3 g
Product family	SPB2f

## Spare Parts



### SC 080 G1/4-IG

Part no. 10.01.06.03271

Connection element for suction cup SchmalzConnector

Connection geometry: 080

Vacuum connection: G1/4-F

Overall length: 32 mm

Fitting length: 17.5 mm

Nominal diameter dn: 11 mm

## Contact to Schmalz

**SPB2f 40 SI-55 SC080**

Part no. 10.01.06.03559

Bellows suction cup (round) for very uneven workpieces

Size: 40

Suction cup material: Silicone SI

Material hardness: 55 °Sh

Material characteristics:

FDA-compatible

Number of folds: 2.5

**Accessories****SSB 16-27 ST-VZ**

Part no. 10.07.10.00002

Hose clamp for securing smooth hoses

Clamping range: 16.0 ... 27.0 mm

Material: Steel galvanised

**SIEB 17x0.8 MS-A2 103 0.103/0.07**

Part no. 10.07.01.00320

Screen

External diameter D: 17 mm

Length L: 0.8 mm

Material: Brass / Stainless steel

Filter pore size: 103 µm

Mesh: 0.103 mm

Wire size: 0.07 mm