

# Bellows suction cup (round)

<https://www.schmalz.com/10.01.06.03559>



## SPB2f 40 SI-55 SC080

Part no.: 10.01.06.03559

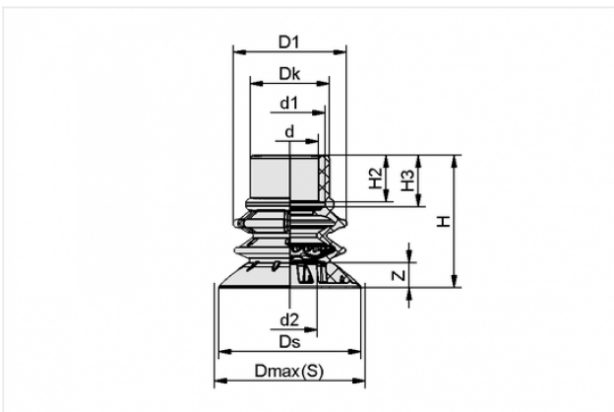
Homepage > Vacuum Technology for Automation > Vacuum Components > Vacuum Suction Cups > Suction Cups for Packaging > SPB2f 40 SI-55 SC080

### Bellows suction cup (round) for very uneven workpieces



Size: 40  
Suction cup material: Silicone SI  
Material hardness: 55 °Sh  
Material characteristics:  
FDA-compatible  
Number of folds: 2.5

### Design Data



Attribute	Value
-----------	-------

d	16 mm
---	-------

d1	19.6 mm
----	---------

d2	15.3 mm
----	---------

D1	31.6 mm
----	---------

Dk	24.4 mm
----	---------

Dmax(S)	42 mm
---------	-------

Ds	39.7 mm
----	---------

H	37 mm
---	-------

H2	13 mm
----	-------

H3	14.4 mm
----	---------

Z	7 mm
---	------

### Contact to Schmalz

J. Schmalz GmbH | Johannes-Schmalz-Straße, 72293 Glatten, Deutschland | +49 7443 2403-102 | [customercenter@schmalz.de](mailto:customercenter@schmalz.de)

## Technical Data

Attribute	Value
Suction force at -200 mbar	6.8 N
Suction force at -400 mbar	13.6 N
Suction force	20.4 N
Volume	12.887 cm <sup>3</sup>
Internal hose diameter (recom.)	9 mm
Size	40
Nipple	SC 080
Number of folds	2.5
Suction cup material	Silicone SI
Material hardness	55 °Sh
Weight	8.3 g
Product family	SPB2f

---

---