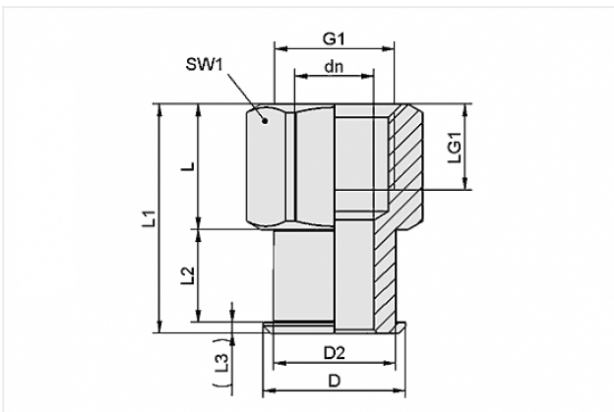


### Connection element for suction cup SchmalzConnector



Connection geometry: 080  
Vacuum connection: G3/8-F  
Overall length: 32 mm  
Fitting length: 17.5 mm  
Nominal diameter dn: 11 mm

### Design Data



Attribute	Value
dn	11 mm
D	19.8 mm
D2	17 mm
G1	G3/8"-F
L	17.5 mm
L1	32 mm
L2	13 mm
L3	1.5 mm
LG1	12 mm
SW1	22 mm

## Technical Data

Attribute	Value
Connection geometry	080
Material	Aluminium
Weight	17.5 g

---

---