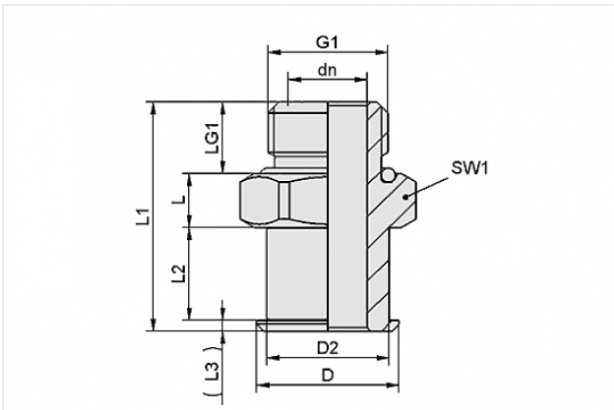


Connection element for suction cup SchmalzConnector



Connection geometry: 080
Vacuum connection: G3/8-M
Overall length: 32 mm
Fitting length: 7.5 mm
Nominal diameter dn: 10.3 mm

Design Data



Attribute	Value
dn	10.3 mm
D	19.8 mm
D2	17 mm
G1	G3/8"-M
L	7.5 mm
L1	32 mm
L2	13 mm
L3	1.5 mm
LG1	10 mm
SW1	22 mm

Technical Data

Attribute	Value
Connection geometry	080
Material	Aluminium
Weight	15.4 g
