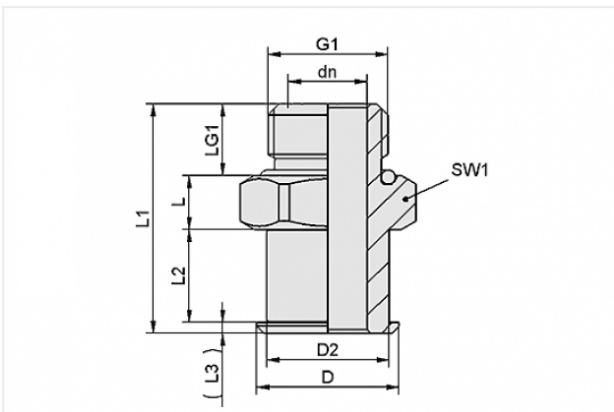


## Connection element for suction cup SchmalzConnector



Connection geometry: 080  
 Vacuum connection: G1/4-M  
 Overall length: 32 mm  
 Fitting length: 7.5 mm  
 Nominal diameter dn: 8 mm

### Design Data



Attribute	Value
dn	8 mm
D	19.8 mm
D2	17 mm
G1	G1/4"-M
L	7.5 mm
L1	32 mm
L2	13 mm
L3	1.5 mm
LG1	10 mm
SW1	22 mm

## Technical Data

Attribute	Value
Connection geometry	080
Material	Aluminium
Weight	14.9 g

---

---