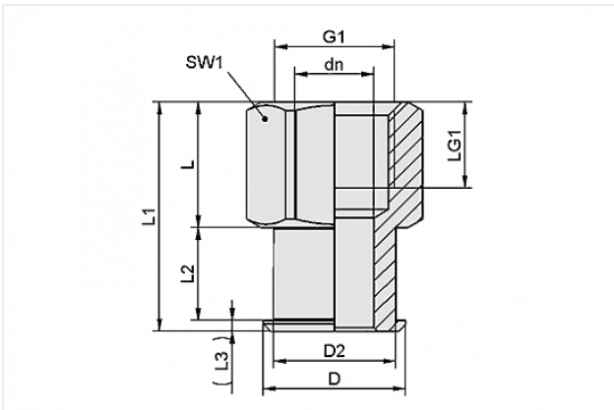


Connection element for suction cup SchmalzConnector



Connection geometry: 080
Vacuum connection: G1/8-F
Overall length: 32 mm
Fitting length: 17.5 mm
Nominal diameter dn: 8.6 mm

Design Data



Attribute	Value
dn	8.6 mm
D	19.8 mm
D2	17 mm
G1	G1/8"-F
L	17.5 mm
L1	32 mm
L2	13 mm
L3	1.5 mm
LG1	12 mm
SW1	22 mm

Technical Data

Attribute	Value
Connection geometry	080
Material	Aluminium
Weight	24.2 g
