

# Bellows suction cup (round)

<https://www.schmalz.com/10.01.06.03699>



## SPB2f 30 SI-55 G1/8-IG

Part no.: 10.01.06.03699

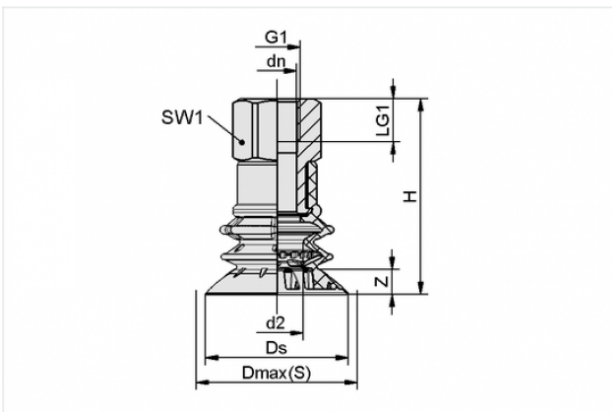
Homepage > Vacuum Technology for Automation > Vacuum Components > Vacuum Suction Cups > Suction Cups for Packaging > Bellows Suction Cups SPB2f (2.5 Folds) > SPB2f 30 SI-55 G1/8-IG

### Bellows suction cup (round) for very uneven workpieces



Size: 30  
Suction cup material: Silicone SI  
Material hardness: 55 °Sh  
Thread G1: G1/8-F  
Number of folds: 2.5

### Design Data



Attribute	Value
-----------	-------

d2	7.2 mm
----	--------

dn	8.6 mm
----	--------

Dmax(S)	32 mm
---------	-------

Ds	30 mm
----	-------

G1	G1/8"-F
----	---------

H	49.8 mm
---	---------

LG1	12 mm
-----	-------

SW1	22 mm
-----	-------

Z	5 mm
---	------

### Contact to Schmalz

J. Schmalz GmbH | Johannes-Schmalz-Straße, 72293 Glatten, Deutschland | +49 7443 2403-102 | [customercenter@schmalz.de](mailto:customercenter@schmalz.de)

## Technical Data

Attribute	Value
Suction force at -200 mbar	4.3 N
Suction force at -400 mbar	8.5 N
Suction force	12.8 N
Volume	7.183 cm <sup>3</sup>
Internal hose diameter (recom.)	9 mm
Size	30
Number of folds	2.5
Suction cup material	Silicone SI
Material hardness	55 °Sh
Weight	29.7 g
Product family	SPB2f

## Spare Parts



### SC 080 G1/8-IG

Part no. 10.01.06.03270

Connection element for suction cup SchmalzConnector

Connection geometry: 080

Vacuum connection: G1/8-F

Overall length: 32 mm

Fitting length: 17.5 mm

Nominal diameter dn: 8.6 mm

## Contact to Schmalz

**SPB2f 30 SI-55 SC080**

Part no. 10.01.06.03643

Bellows suction cup (round) for very uneven workpieces

Size: 30

Suction cup material: Silicone SI

Material hardness: 55 °Sh

Material characteristics:

FDA-compatible

Number of folds: 2.5

**Accessories****SSB 16-27 ST-VZ**

Part no. 10.07.10.00002

Hose clamp for securing smooth hoses

Clamping range: 16.0 ... 27.0 mm

Material: Steel galvanised

**SIEB 17x0.8 MS-A2 103 0.103/0.07**

Part no. 10.07.01.00320

Screen

External diameter D: 17 mm

Length L: 0.8 mm

Material: Brass / Stainless steel

Filter pore size: 103 µm

Mesh: 0.103 mm

Wire size: 0.07 mm