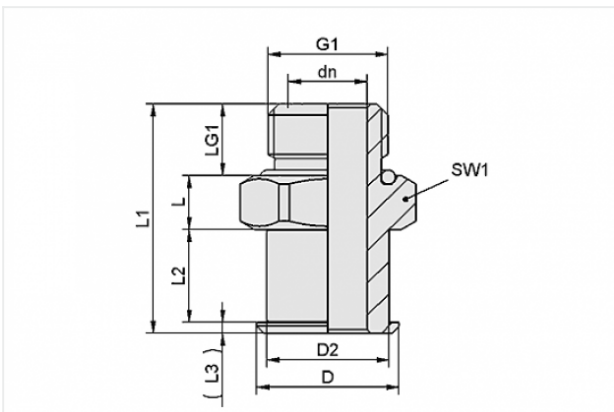


Connection element for suction cup SchmalzConnector



Connection geometry: 080
Vacuum connection: G1/8-M
Overall length: 28 mm
Fitting length: 7.5 mm
Nominal diameter dn: 4 mm

Design Data



| Attribute | Value |
|-----------|---------|
| dn | 4 mm |
| D | 19.8 mm |
| D2 | 17 mm |
| G1 | G1/8"-M |
| L | 7.5 mm |
| L1 | 28 mm |
| L2 | 13 mm |
| L3 | 1.5 mm |
| LG1 | 7.5 mm |
| SW1 | 22 mm |

Technical Data

| Attribute | Value |
|---------------------|-----------|
| Connection geometry | 080 |
| Material | Aluminium |
| Weight | 17.4 g |
