

Bellows suction cup (round)

<https://www.schmalz.com/10.01.06.03462>



SPB2 50 ED-65 G1/4-IG

Part no.: 10.01.06.03462

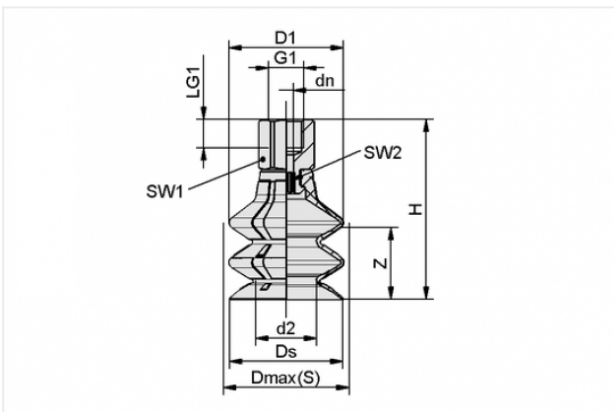
Homepage > Vacuum Technology for Automation > Vacuum Components > Vacuum Suction Cups > Suction Cups for Packaging > Bellows Suction Cups SPB2 (2.5 Folds) > SPB2 50 ED-65 G1/4-IG

Bellows suction cup (round) for very uneven workpieces



Size: 50
Suction cup material: Elastodur
Material hardness: 65 °Sh
Thread G1: G1/4-F
Number of folds: 2.5

Design Data



Attribute	Value
-----------	-------

d2	27.1 mm
----	---------

dn	6.1 mm
----	--------

D1	52.2 mm
----	---------

Dmax(S)	55.5 mm
---------	---------

Ds	51.3 mm
----	---------

G1	G1/4"-F
----	---------

H	73.1 mm
---	---------

LG1	12 mm
-----	-------

SW1	17 mm
-----	-------

SW2	6 mm
-----	------

Z	32 mm
---	-------

Contact to Schmalz

J. Schmalz GmbH | Johannes-Schmalz-Straße, 72293 Glatten, Deutschland | +49 7443 2403-102 | customercenter@schmalz.de

Technical Data

Attribute	Value
Suction force	34.6 N
Pull-off force	61.8 N
Lateral force	28.5 N
Volume	51.8 cm ³
Curve radius (min) (convex)	75 mm
Internal hose diameter (recom.)	6 mm
Size	50
Number of folds	2.5
Suction cup material	Elastodur
Material hardness	65 °Sh
Weight	32.8 g
Product family	SPB2

Note:

- Suction force: The specified suction forces are theoretical values with a smooth, dry workpiece surface - they do not include safety factors

Spare Parts



SC 050 G1/4-IG

Part no. 10.01.06.02488

Connection element for suction cup SchmalzConnector

Connection geometry: 050

Vacuum connection: G1/4-F

Overall length: 26.5 mm

Fitting length: 17.2 mm

Nominal diameter dn: 6.1 mm

Contact to Schmalz



SPB2 50 ED-65 SC050

Part no. 10.01.06.03413

Bellows suction cup (round) with 2.5 corr. for dynamic handling of cardboard and rigid packaging

Size: 50

Suction cup material: Elastodur

Material hardness: 65 °Sh

Number of folds: 2.5