

Bellows suction cup (round)

<https://www.schmalz.com/10.01.06.03413>



SPB2 50 ED-65 SC050

Part no.: 10.01.06.03413

Homepage > Vacuum Technology for Automation > Vacuum Components > Vacuum Suction Cups > Suction Cups for Packaging > SPB2 50 ED-65 SC050

Bellows suction cup (round) with 2.5 corr. for dynamic handling of cardboard and rigid packaging



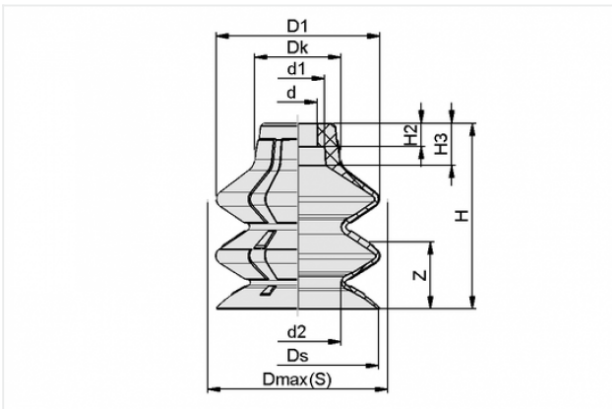
Size: 50

Suction cup material: Elastodur

Material hardness: 65 °Sh

Number of folds: 2.5

Design Data



Attribute	Value
-----------	-------

d	11 mm
---	-------

d1	17.3 mm
----	---------

d2	27.1 mm
----	---------

D1	52.2 mm
----	---------

Dk	23.5 mm
----	---------

Dmax(S)	55.5 mm
---------	---------

Ds	51.3 mm
----	---------

H	55.9 mm
---	---------

H2	7 mm
----	------

H3	11.6 mm
----	---------

Z	32 mm
---	-------

Contact to Schmalz

J. Schmalz GmbH | Johannes-Schmalz-Straße, 72293 Glatten, Deutschland | +49 7443 2403-102 | customercenter@schmalz.de

Technical Data

Attribute	Value
Suction force	34.6 N
Pull-off force	61.8 N
Lateral force	28.5 N
Volume	51.8 cm ³
Curve radius (min) (convex)	75 mm
Internal hose diameter (recom.)	6 mm
Size	50
Nipple	SC 050
Number of folds	2.5
Suction cup material	Elastodur
Material hardness	65 °Sh
Weight	18.3 g
Product family	SPB2

Accessories



SC 050 G1/4-AG

Part no. 10.01.06.02487

Connection element for suction cup SchmalzConnector

Connection geometry: 050

Vacuum connection: G1/4-M

Overall length: 26.5 mm

Fitting length: 7.2 mm

Nominal diameter dn: 6.1 mm

Contact to Schmalz



SC 050 G1/4-IG

Part no. 10.01.06.02488

Connection element for suction cup SchmalzConnector

Connection geometry: 050

Vacuum connection: G1/4-F

Overall length: 26.5 mm

Fitting length: 17.2 mm

Nominal diameter dn: 6.1 mm