

# Bellows suction cup (round)

<https://www.schmalz.com/10.01.06.03460>



## SPB2 40 ED-65 G1/4-IG

Part no.: 10.01.06.03460

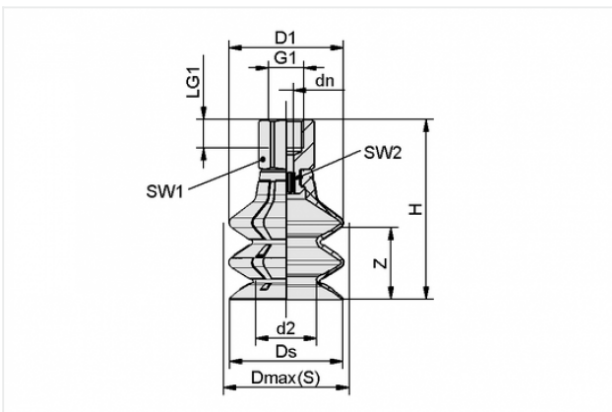
Homepage > Vacuum Technology for Automation > Vacuum Components > Vacuum Suction Cups > Suction Cups for Packaging > Bellows Suction Cups SPB2 (2.5 Folds) > SPB2 40 ED-65 G1/4-IG

### Bellows suction cup (round) for very uneven workpieces



Size: 40  
Suction cup material: Elastodur  
Material hardness: 65 °Sh  
Thread G1: G1/4-F  
Number of folds: 2.5

### Design Data



Attribute	Value
d2	22.9 mm
dn	6.1 mm
D1	42.2 mm
Dmax(S)	44.5 mm
Ds	41.3 mm
G1	G1/4"-F
H	62.2 mm
LG1	12 mm
SW1	17 mm
SW2	6 mm
Z	25 mm

### Contact to Schmalz

J. Schmalz GmbH | Johannes-Schmalz-Straße, 72293 Glatten, Deutschland | +49 7443 2403-102 | [customercenter@schmalz.de](mailto:customercenter@schmalz.de)

## Technical Data

Attribute	Value
Suction force	24.8 N
Pull-off force	40.5 N
Lateral force	20.3 N
Volume	27.9 cm <sup>3</sup>
Curve radius (min) (convex)	60 mm
Internal hose diameter (recom.)	6 mm
Size	40
Number of folds	2.5
Suction cup material	Elastodur
Material hardness	65 °Sh
Weight	25 g
Product family	SPB2

### Note:

- Suction force: The specified suction forces are theoretical values with a smooth, dry workpiece surface - they do not include safety factors

## Spare Parts



### SC 050 G1/4-IG

Part no. 10.01.06.02488

Connection element for suction cup SchmalzConnector

Connection geometry: 050

Vacuum connection: G1/4-F

Overall length: 26.5 mm

Fitting length: 17.2 mm

Nominal diameter dn: 6.1 mm

### Contact to Schmalz



**SPB2 40 ED-65 SC050**

Part no. 10.01.06.03412

Bellows suction cup (round) with 2.5 corr. for dynamic handling of cardboard and rigid packaging

Size: 40

Suction cup material: Elastodur

Material hardness: 65 °Sh

Number of folds: 2.5