

Bellows suction cup (round)

<https://www.schmalz.com/10.01.06.03412>



SPB2 40 ED-65 SC050

Part no.: 10.01.06.03412

Homepage > Vacuum Technology for Automation > Vacuum Components > Vacuum Suction Cups > Suction Cups for Packaging > SPB2 40 ED-65 SC050

Bellows suction cup (round) with 2.5 corr. for dynamic handling of cardboard and rigid packaging



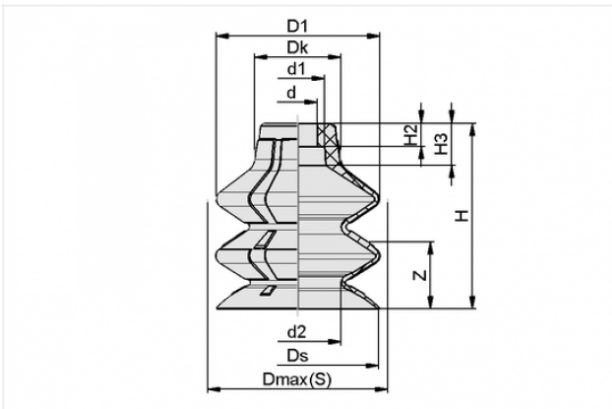
Size: 40

Suction cup material: Elastodur

Material hardness: 65 °Sh

Number of folds: 2.5

Design Data



Attribute	Value
-----------	-------

d	11 mm
---	-------

d1	17.3 mm
----	---------

d2	22.9 mm
----	---------

D1	42.2 mm
----	---------

Dk	22.5 mm
----	---------

Dmax(S)	44.5 mm
---------	---------

Ds	41.3 mm
----	---------

H	45 mm
---	-------

H2	7 mm
----	------

H3	9.9 mm
----	--------

Z	25 mm
---	-------

Contact to Schmalz

J. Schmalz GmbH | Johannes-Schmalz-Straße, 72293 Glatten, Deutschland | +49 7443 2403-102 | customercenter@schmalz.de

Technical Data

Attribute	Value
Suction force	24.8 N
Pull-off force	40.5 N
Lateral force	20.3 N
Volume	27.9 cm ³
Curve radius (min) (convex)	60 mm
Internal hose diameter (recom.)	6 mm
Size	40
Nipple	SC 050
Number of folds	2.5
Suction cup material	Elastodur
Material hardness	65 °Sh
Weight	10.5 g
Product family	SPB2

Accessories



SC 050 G1/4-AG

Part no. 10.01.06.02487

Connection element for suction cup SchmalzConnector

Connection geometry: 050

Vacuum connection: G1/4-M

Overall length: 26.5 mm

Fitting length: 7.2 mm

Nominal diameter dn: 6.1 mm

Contact to Schmalz



SC 050 G1/4-IG

Part no. 10.01.06.02488

Connection element for suction cup SchmalzConnector

Connection geometry: 050

Vacuum connection: G1/4-F

Overall length: 26.5 mm

Fitting length: 17.2 mm

Nominal diameter dn: 6.1 mm