

Bellows suction cup (round)

<https://www.schmalz.com/10.01.06.03458>



SPB2 30 ED-65 G1/8-IG

Part no.: 10.01.06.03458

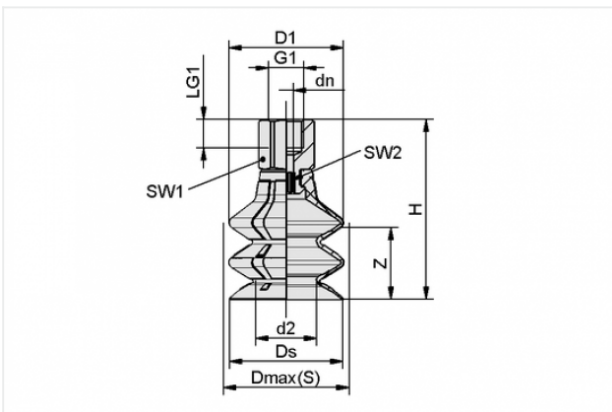
Homepage > Vacuum Technology for Automation > Vacuum Components > Vacuum Suction Cups > Suction Cups for Packaging > Bellows Suction Cups SPB2 (2.5 Folds) > SPB2 30 ED-65 G1/8-IG

Bellows suction cup (round) for very uneven workpieces



Size: 30
Suction cup material: Elastodur
Material hardness: 65 °Sh
Thread G1: G1/8-F
Number of folds: 2.5

Design Data



Attribute	Value
-----------	-------

d2	16.9 mm
----	---------

dn	4 mm
----	------

D1	32.2 mm
----	---------

Dmax(S)	34 mm
---------	-------

Ds	31.4 mm
----	---------

G1	G1/8"-F
----	---------

H	50.2 mm
---	---------

LG1	8 mm
-----	------

SW1	14 mm
-----	-------

SW2	4 mm
-----	------

Z	20 mm
---	-------

Contact to Schmalz

J. Schmalz GmbH | Johannes-Schmalz-Straße, 72293 Glatten, Deutschland | +49 7443 2403-102 | customercenter@schmalz.de

Technical Data

Attribute	Value
Suction force	14.4 N
Pull-off force	28.4 N
Lateral force	12.8 N
Volume	12.4 cm ³
Curve radius (min) (convex)	30 mm
Internal hose diameter (recom.)	6 mm
Size	30
Number of folds	2.5
Suction cup material	Elastodur
Material hardness	65 °Sh
Weight	10.5 g
Product family	SPB2

Note:

- Suction force: The specified suction forces are theoretical values with a smooth, dry workpiece surface - they do not include safety factors

Spare Parts



SC 040 G1/8-IG

Part no. 10.01.06.02482

Connection element for suction cup SchmalzConnector

Connection geometry: 040

Vacuum connection: G1/8-F

Overall length: 20.7 mm

Fitting length: 14 mm

Nominal diameter dn: 4.1 mm

Contact to Schmalz



SPB2 30 ED-65 SC040

Part no. 10.01.06.03411

Bellows suction cup (round) with 2.5 corr. for dynamic handling of cardboard and rigid packaging

Size: 30

Suction cup material: Elastodur

Material hardness: 65 °Sh

Number of folds: 2.5