

## Bellows suction cup (round)

SPB2 30 ED-65 G1/8-AG

Part no.:10.01.06.03457

<https://www.schmalz.com/10.01.06.03457>

Homepage > Vacuum Technology for Automation > Vacuum Components > Vacuum Suction Cups > Suction Cups for Packaging > Bellows

Suction Cups SPB2 (2.5 Folds) > SPB2 30 ED-65 G1/8-AG

### Bellows suction cup (round) for very uneven workpieces



Size: 30

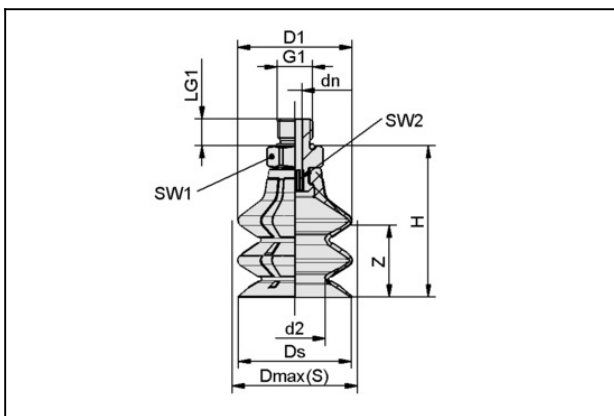
Suction cup material: Elastodur

Material hardness: 65 °Sh

Thread G1: G1/8"-M

Number of folds: 2.5

### Design Data



Attribute	Value
d2	16.9 mm
dn	4 mm
D1	32.2 mm
Dmax(S)	34 mm
Ds	31.4 mm
G1	G1/8"-M
H	42.2 mm
LG1	7.5 mm
SW1	14 mm
SW2	4 mm
Z (Stroke)	20 mm

## Bellows suction cup (round)

SPB2 30 ED-65 G1/8-AG

Part no.:10.01.06.03457

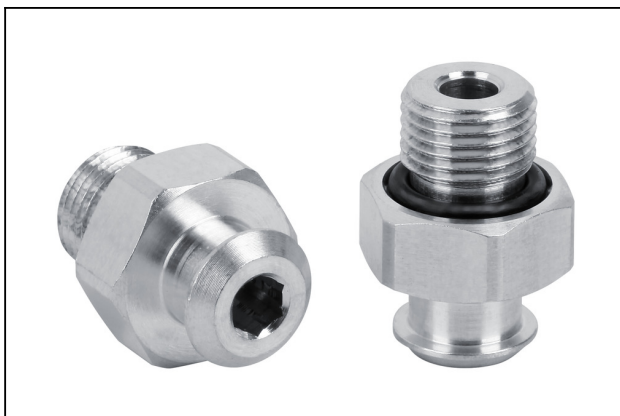
<https://www.schmalz.com/10.01.06.03457>

### Technical Data

Attribute	Value
Suction force	14.4 N
Pull-off force	28.4 N
Lateral force	12.8 N
Volume	12.4 cm <sup>3</sup>
Curve radius (min) (convex)	30 mm
Hose diameter (empf.) d	6 mm
Size	30
Number of folds	2.5
Suction cup material	Elastodur
Material hardness [Shore A]	65
Weight	9.5 g
Product family	SPB2

Note: Suction force: The specified suction forces are theoretical values with a smooth, dry workpiece surface - they do not include safety factors

### Spare Parts



#### SC 040 G1/8-AG

Part no.10.01.06.02490

Connection element for suction cup "SchmalzConnector"

Connection geometry: 040

Vacuum connection: G1/8"-M

Overall length: 20.2 mm

Fitting length: 6 mm

Nominal diameter dn: 4.1 mm

## Bellows suction cup (round)

SPB2 30 ED-65 G1/8-AG

Part no.:10.01.06.03457

<https://www.schmalz.com/10.01.06.03457>



### SPB2 30 ED-65 SC040

Part no.10.01.06.03411

Bellows suction cup (round) with 2.5 corr. for dynamic handling of cardboard and rigid packaging

Size: 30

Suction cup material: Elastodur

Material hardness: 65 °Sh

Number of folds: 2.5

## Accessories



### SPI 30 PA SPB2-30

Part no.10.01.06.04043

Suction cup insert for preventing deformation of sensitive workpieces

Size: 30

Material: Polyamide

Application: SPB2-30