

Bellows suction cup (round)

SPB2 25 ED-65 G1/8-AG

Part no.:10.01.06.03455

<https://www.schmalz.com/10.01.06.03455>

Homepage > Vacuum Technology for Automation > Vacuum Components > Vacuum Suction Cups > Suction Cups for Packaging > Bellows

Suction Cups SPB2 (2.5 Folds) > SPB2 25 ED-65 G1/8-AG

Bellows suction cup (round) for very uneven workpieces



Size: 25

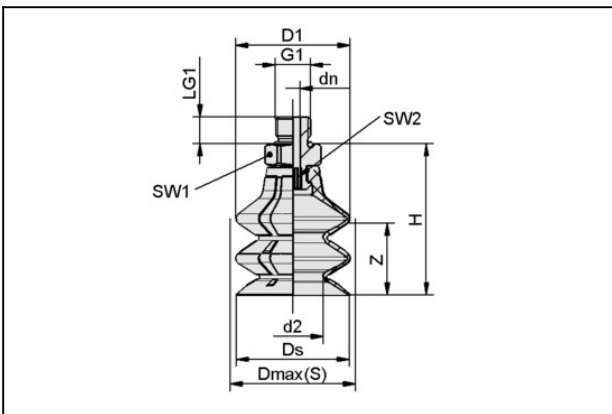
Suction cup material: Elastodur

Material hardness: 65 °Sh

Thread G1: G1/8"-M

Number of folds: 2.5

Design Data



Attribute	Value
d2	14.5 mm
dn	4 mm
D1	27.2 mm
Dmax(S)	28 mm
Ds	26.4 mm
G1	G1/8"-M
H	36.9 mm
LG1	7.5 mm
SW1	14 mm
SW2	4 mm
Z (Stroke)	17 mm

Bellows suction cup (round)

SPB2 25 ED-65 G1/8-AG

Part no.:10.01.06.03455

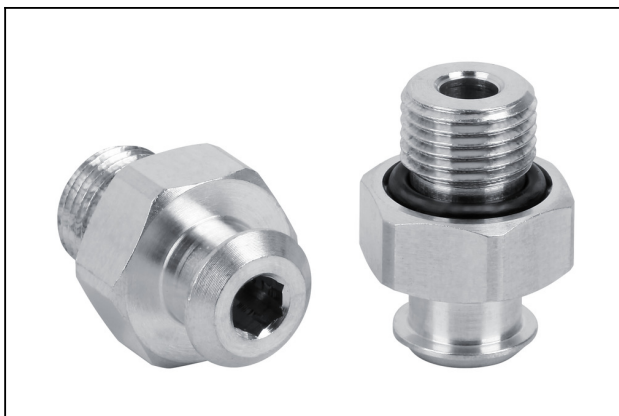
<https://www.schmalz.com/10.01.06.03455>

Technical Data

Attribute	Value
Suction force	9.9 N
Pull-off force	20.1 N
Lateral force	9.1 N
Volume	7.6 cm ³
Curve radius (min) (convex)	20 mm
Hose diameter (empf.) d	4 mm
Size	25
Number of folds	2.5
Suction cup material	Elastodur
Material hardness [Shore A]	65
Weight	7.6 g
Product family	SPB2

Note: Suction force: The specified suction forces are theoretical values with a smooth, dry workpiece surface - they do not include safety factors

Spare Parts



SC 040 G1/8-AG

Part no.10.01.06.02490

Connection element for suction cup "SchmalzConnector"

Connection geometry: 040

Vacuum connection: G1/8"-M

Overall length: 20.2 mm

Fitting length: 6 mm

Nominal diameter dn: 4.1 mm

Bellows suction cup (round)

SPB2 25 ED-65 G1/8-AG

Part no.:10.01.06.03455

<https://www.schmalz.com/10.01.06.03455>



SPB2 25 ED-65 SC040

Part no.10.01.06.03410

Bellows suction cup (round) with 2.5 corr. for dynamic handling of cardboard and rigid packaging

Size: 25

Suction cup material: Elastodur

Material hardness: 65 °Sh

Number of folds: 2.5

Accessories



SPI 25 PA SPB2-25

Part no.10.01.06.04042

Suction cup insert for preventing deformation of sensitive workpieces

Size: 25

Material: Polyamide

Application: SPB2-25