

Bellows suction cup (round)

<https://www.schmalz.com/10.01.06.03409>



SPB2 20 ED-65 SC040

Part no.: 10.01.06.03409

Homepage > Vacuum Technology for Automation > Vacuum Components > Vacuum Suction Cups > Suction Cups for Packaging > SPB2 20 ED-65 SC040

Bellows suction cup (round) with 2.5 corr. for dynamic handling of cardboard and rigid packaging



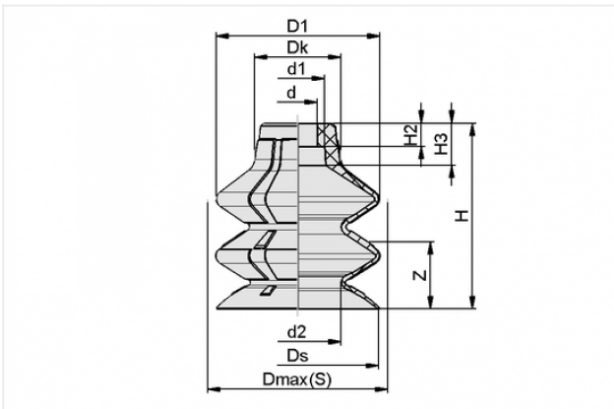
Size: 20

Suction cup material: Elastodur

Material hardness: 65 °Sh

Number of folds: 2.5

Design Data



Attribute	Value
-----------	-------

d	7.5 mm
---	--------

d1	10.5 mm
----	---------

d2	12 mm
----	-------

D1	22.2 mm
----	---------

Dk	15 mm
----	-------

Dmax(S)	23.5 mm
---------	---------

Ds	21.4 mm
----	---------

H	25.3 mm
---	---------

H2	4.6 mm
----	--------

H3	7 mm
----	------

Z	13 mm
---	-------

Contact to Schmalz

J. Schmalz GmbH | Johannes-Schmalz-Straße, 72293 Glatten, Deutschland | +49 7443 2403-102 | customercenter@schmalz.de

Technical Data

Attribute	Value
Suction force	6.8 N
Pull-off force	15.7 N
Lateral force	8.4 N
Volume	4.2 cm ³
Curve radius (min) (convex)	20 mm
Internal hose diameter (recom.)	4 mm
Size	20
Nipple	SC 040
Number of folds	2.5
Suction cup material	Elastodur
Material hardness	65 °Sh
Weight	2.1 g
Product family	SPB2

Accessories



SC 040 G1/8-AG

Part no. 10.01.06.02490

Connection element for suction cup SchmalzConnector

Connection geometry: 040

Vacuum connection: G1/8-M

Overall length: 20.2 mm

Fitting length: 6 mm

Nominal diameter dn: 4.1 mm

Contact to Schmalz



SC 040 G1/8-IG

Part no. 10.01.06.02482

Connection element for suction cup SchmalzConnector

Connection geometry: 040

Vacuum connection: G1/8-F

Overall length: 20.7 mm

Fitting length: 14 mm

Nominal diameter dn: 4.1 mm