

Bellows suction cup (round)

SPB2 20 ED-65 G1/8-AG

Part no.:10.01.06.03453

<https://www.schmalz.com/10.01.06.03453>

Homepage > Vacuum Technology for Automation > Vacuum Components > Vacuum Suction Cups > Suction Cups for Packaging > Bellows

Suction Cups SPB2 (2.5 Folds) > SPB2 20 ED-65 G1/8-AG

Bellows suction cup (round) for very uneven workpieces



Size: 20

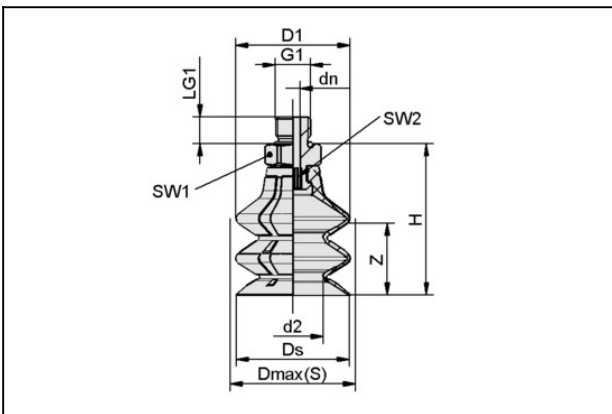
Suction cup material: Elastodur

Material hardness: 65 °Sh

Thread G1: G1/8"-M

Number of folds: 2.5

Design Data



| Attribute | Value |
|------------|---------|
| d2 | 12 mm |
| dn | 4 mm |
| D1 | 22.1 mm |
| Dmax(S) | 23.5 mm |
| Ds | 21.4 mm |
| G1 | G1/8"-M |
| H | 31.3 mm |
| LG1 | 7.5 mm |
| SW1 | 14 mm |
| SW2 | 4 mm |
| Z (Stroke) | 13 mm |

Bellows suction cup (round)

SPB2 20 ED-65 G1/8-AG

Part no.:10.01.06.03453

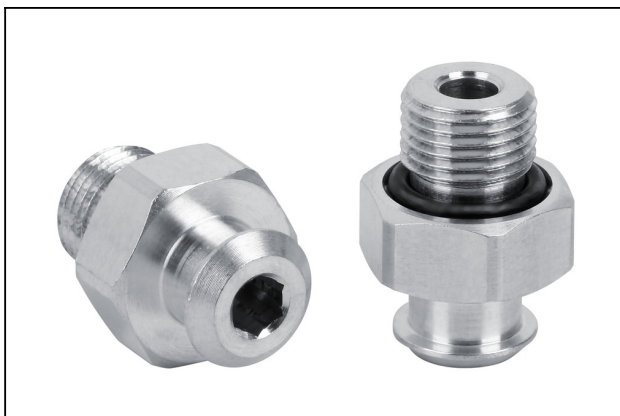
<https://www.schmalz.com/10.01.06.03453>

Technical Data

| Attribute | Value |
|-----------------------------|---------------------|
| Suction force | 6.8 N |
| Pull-off force | 15.7 N |
| Lateral force | 8.4 N |
| Volume | 4.2 cm ³ |
| Curve radius (min) (convex) | 20 mm |
| Hose diameter (empf.) d | 4 mm |
| Size | 20 |
| Number of folds | 2.5 |
| Suction cup material | Elastodur |
| Material hardness [Shore A] | 65 |
| Weight | 6.5 g |
| Product family | SPB2 |

Note: Suction force: The specified suction forces are theoretical values with a smooth, dry workpiece surface - they do not include safety factors

Spare Parts



SC 040 G1/8-AG

Part no.10.01.06.02490

Connection element for suction cup "SchmalzConnector"

Connection geometry: 040

Vacuum connection: G1/8"-M

Overall length: 20.2 mm

Fitting length: 6 mm

Nominal diameter dn: 4.1 mm

Bellows suction cup (round)

SPB2 20 ED-65 G1/8-AG

Part no.:10.01.06.03453

<https://www.schmalz.com/10.01.06.03453>



SPB2 20 ED-65 SC040

Part no.10.01.06.03409

Bellows suction cup (round) with 2.5 corr. for dynamic handling of cardboard and rigid packaging

Size: 20

Suction cup material: Elastodur

Material hardness: 65 °Sh

Number of folds: 2.5

Accessories



SPI 20 PA SPB2-20

Part no.10.01.06.04041

Suction cup insert for preventing deformation of sensitive workpieces

Size: 20

Material: Polyamide

Application: SPB2-20