

Bellows suction cup (round)

<https://www.schmalz.com/10.01.06.03453>



SPB2 20 ED-65 G1/8-AG

Part no.: 10.01.06.03453

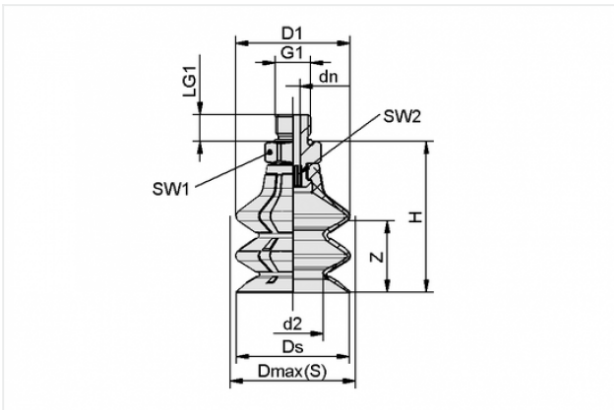
Homepage > Vacuum Technology for Automation > Vacuum Components > Vacuum Suction Cups > SPB2 20 ED-65 G1/8-AG

Bellows suction cup (round) for very uneven workpieces



Size: 20
Suction cup material: Elastodur
Material hardness: 65 °Sh
Thread G1: G1/8-M
Number of folds: 2.5

Design Data



Attribute	Value
d2	12 mm
dn	4 mm
D1	22.1 mm
Dmax(S)	23.5 mm
Ds	21.4 mm
G1	G1/8"-M
H	31.3 mm
LG1	7.5 mm
SW1	14 mm
SW2	4 mm
Z	13 mm

Contact to Schmalz

J. Schmalz GmbH | Johannes-Schmalz-Straße, 72293 Glatten, Deutschland | +49 7443 2403-102 | customercenter@schmalz.de

Technical Data

Attribute	Value
Suction force	6.8 N
Pull-off force	15.7 N
Lateral force	8.4 N
Volume	4.2 cm ³
Curve radius (min) (convex)	20 mm
Internal hose diameter (recom.)	4 mm
Size	20
Number of folds	2.5
Suction cup material	Elastodur
Material hardness	65 °Sh
Weight	6.5 g
Product family	SPB2

Spare Parts



SC 040 G1/8-AG

Part no. 10.01.06.02490

Connection element for suction cup SchmalzConnector

Connection geometry: 040

Vacuum connection: G1/8-M

Overall length: 20.2 mm

Fitting length: 6 mm

Nominal diameter dn: 4.1 mm

Contact to Schmalz



SPB2 20 ED-65 SC040

Part no. 10.01.06.03409

Bellows suction cup (round) with 2.5 corr. for dynamic handling of cardboard and rigid packaging

Size: 20

Suction cup material: Elastodur

Material hardness: 65 °Sh

Number of folds: 2.5