

**Bellows suction pad
(oval)**
SPOB1f 80x35 SI-55 G1/4-IG
Part no.: 10.01.06.03739

<https://www.schmalz.com/10.01.06.03739>



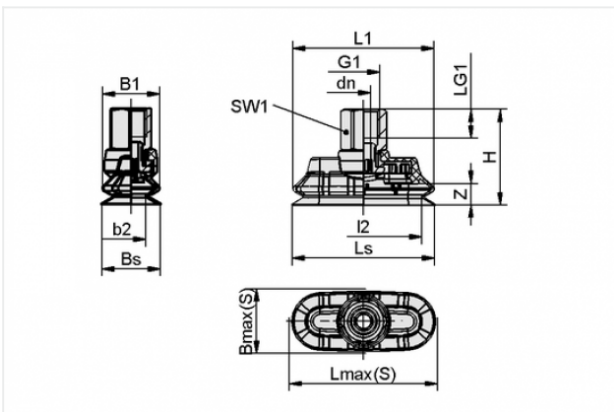
Homepage > Vacuum Technology for Automation > Vacuum Components > Vacuum Suction Cups > Suction Cups for Packaging > Bellows Suction Cups SPOB1f (Oval, 1.5 Folds) > SPOB1f 80x35 SI-55 G1/4-IG

Bellows suction cup (oval) for high dynamic on curved, oily surfaced workpieces



Dimensions (LxB): 80 x 35 mm
Suction cup material: Silicone SI
Material hardness: 55 °Sh
Number of folds: 1.5
Thread G1: G1/4-F

Design Data



Attribute	Value
b2	21 mm
B1	35 mm
Bmax(S)	38 mm
Bs	34.5 mm
dn	6.1 mm
G1	G1/4"-F
H	44.2 mm
L2	66 mm
L1	80 mm
LG1	12 mm
Lmax(S)	83 mm
Ls	79.5 mm
SW1	17 mm

Contact to Schmalz

J. Schmalz GmbH | Johannes-Schmalz-Straße, 72293 Glatten, Deutschland | +49 7443 2403-102 | customercenter@schmalz.de

Attribute	Value
Z	11 mm

Technical Data

Attribute	Value
Suction force at -200 mbar	24.9 N
Suction force at -400 mbar	49.8 N
Suction force	74.7 N
Volume	26.122 cm ³
Workpiece width (min)	30 mm
Internal hose diameter (recom.)	8 mm
Dimensions (LxB)	80 x 35 mm
Number of folds	1.5
Suction cup material	Silicone SI
Material hardness	55 °Sh
Weight	12.6 g
Product family	SPOB1f

Spare Parts

Contact to Schmalz



SC 050-AR G1/4-IG

Part no. 10.01.06.03742

Connection element for suction cup SchmalzConnector

Connection geometry: 050-AR

Vacuum connection: G1/4-F

Overall length: 26.5 mm

Fitting length: 17.2 mm

Nominal diameter dn: 6.1 mm



SPOB1f 80x35 SI-55 SC050-AR

Part no. 10.01.06.03627

Bellows suction cup (oval) with 1.5 corrug.for dynamic handling of cardboard and rigid packaging

Dimensions (LxB): 80 x 35 mm

Suction cup material: Silicone SI

Material hardness: 55 °Sh

Number of folds: 1.5