

Bellows suction cup (oval)

<https://www.schmalz.com/10.01.06.03627>



SPOB1f 80x35 SI-55 SC050-AR

Part no.: 10.01.06.03627

Homepage > Vacuum Technology for Automation > Vacuum Components > Vacuum Suction Cups > Suction Cups for Packaging > SPOB1f 80x35

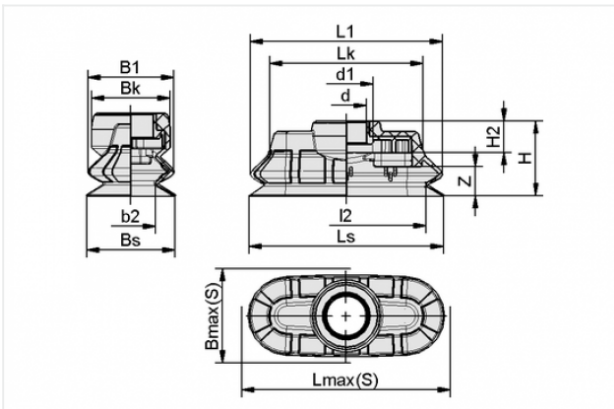
SI-55 SC050-AR

Bellows suction cup (oval) with 1.5 corrug.for dynamic handling of cardboard and rigid packaging



Dimensions (LxB): 80 x 35 mm
 Suction cup material: Silicone SI
 Material hardness: 55 °Sh
 Number of folds: 1.5

Design Data



Attribute	Value
-----------	-------

b2	21 mm
B1	35 mm
Bk	24 mm
Bmax(S)	38 mm
Bs	34.5 mm
d	12.4 mm
d1	17.3 mm
H	27 mm
H2	6.9 mm
I2	66 mm
L1	80 mm
Lk	61.1 mm

Contact to Schmalz

J. Schmalz GmbH | Johannes-Schmalz-Straße, 72293 Glatten, Deutschland | +49 7443 2403-102 | customercenter@schmalz.de



Attribute	Value
Lmax(S)	83 mm
Ls	79.5 mm
Z	11 mm

Technical Data

Attribute	Value
Suction force at -200 mbar	24.9 N
Suction force at -400 mbar	49.8 N
Suction force	74.7 N
Volume	26.122 cm ³
Workpiece width (min)	30 mm
Internal hose diameter (recom.)	8 mm
Nipple	SC 050-AR
Dimensions (LxB)	80 x 35 mm
Number of folds	1.5
Suction cup material	Silicone SI
Material hardness	55 °Sh
Weight	12.6 g
Product family	SPOB1f

Contact to Schmalz