

Bellows suction pad (oval)

<https://www.schmalz.com/10.01.06.03740>



SPOB1f 80x35 SI-55 G1/4-AG

Part no.: 10.01.06.03740

Homepage > Vacuum Technology for Automation > Vacuum Components > Vacuum Suction Cups > Suction Cups for Packaging > Bellows Suction

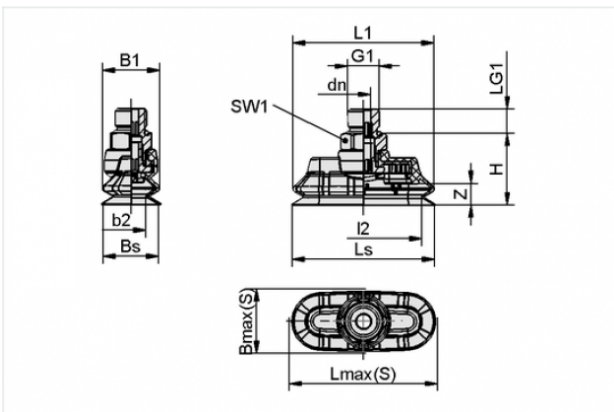
Cups SPOB1f (Oval, 1.5 Folds) > SPOB1f 80x35 SI-55 G1/4-AG

Bellows suction cup (oval) for high dynamic on curved, oily surfaced workpieces



Dimensions (LxB): 80 x 35 mm
Suction cup material: Silicone SI
Material hardness: 55 °Sh
Number of folds: 1.5
Thread G1: G1/4-M

Design Data



| Attribute | Value |
|-----------|-------|
|-----------|-------|

| | |
|----|-------|
| b2 | 21 mm |
|----|-------|

| | |
|----|-------|
| B1 | 35 mm |
|----|-------|

| | |
|---------|-------|
| Bmax(S) | 38 mm |
|---------|-------|

| | |
|----|---------|
| Bs | 34.5 mm |
|----|---------|

| | |
|----|--------|
| dn | 6.1 mm |
|----|--------|

| | |
|----|---------|
| G1 | G1/4"-M |
|----|---------|

| | |
|---|---------|
| H | 34.2 mm |
|---|---------|

| | |
|----|-------|
| I2 | 66 mm |
|----|-------|

| | |
|----|-------|
| L1 | 80 mm |
|----|-------|

| | |
|-----|-------|
| LG1 | 10 mm |
|-----|-------|

| | |
|---------|-------|
| Lmax(S) | 83 mm |
|---------|-------|

| | |
|----|---------|
| Ls | 79.5 mm |
|----|---------|

| | |
|-----|-------|
| SW1 | 17 mm |
|-----|-------|

Contact to Schmalz

J. Schmalz GmbH | Johannes-Schmalz-Straße, 72293 Glatten, Deutschland | +49 7443 2403-102 | customercenter@schmalz.de

| Attribute | Value |
|-----------|-------|
| Z | 11 mm |

Technical Data

| Attribute | Value |
|---------------------------------|------------------------|
| Suction force at -200 mbar | 24.9 N |
| Suction force at -400 mbar | 49.8 N |
| Suction force | 74.7 N |
| Volume | 26.122 cm ³ |
| Workpiece width (min) | 30 mm |
| Internal hose diameter (recom.) | 8 mm |
| Dimensions (LxB) | 80 x 35 mm |
| Number of folds | 1.5 |
| Suction cup material | Silicone SI |
| Material hardness | 55 °Sh |
| Weight | 12.6 g |
| Product family | SPOB1f |

Spare Parts

Contact to Schmalz



SC 050-AR G1/4-AG

Part no. 10.01.06.03741

Connection element for suction cup SchmalzConnector

Connection geometry: 050-AR

Vacuum connection: G1/4-M

Overall length: 26.5 mm

Fitting length: 7.2 mm

Nominal diameter dn: 6.1 mm



SPOB1f 80x35 SI-55 SC050-AR

Part no. 10.01.06.03627

Bellows suction cup (oval) with 1.5 corrug.for dynamic handling of cardboard and rigid packaging

Dimensions (LxB): 80 x 35 mm

Suction cup material: Silicone SI

Material hardness: 55 °Sh

Number of folds: 1.5