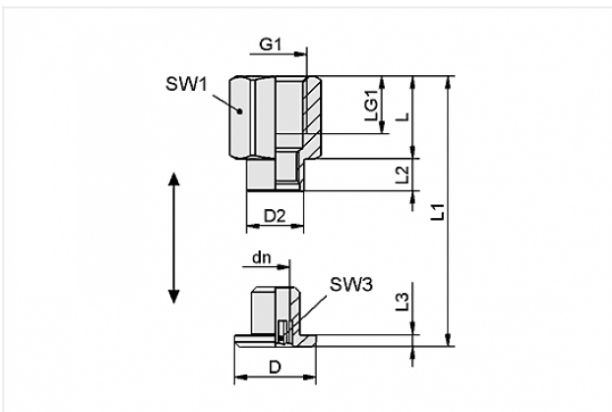


## Connection element for suction cup SchmalzConnector



Connection geometry: 050-AR  
 Vacuum connection: G1/4-F  
 Overall length: 26.5 mm  
 Fitting length: 17.2 mm  
 Nominal diameter dn: 6.1 mm

### Design Data



Attribute	Value
-----------	-------

dn	6.1 mm
----	--------

D	17 mm
---	-------

D2	12 mm
----	-------

G1	G1/4"-F
----	---------

L	17.2 mm
---	---------

L1	26.5 mm
----	---------

L2	6.8 mm
----	--------

L3	2.5 mm
----	--------

LG1	12 mm
-----	-------

SW1	17 mm
-----	-------

SW3	6 mm
-----	------



## Technical Data

Attribute	Value
Connection geometry	050-AR
Weight	13.6 g

---

---

### [Contact to Schmalz](#)