

Bellows suction cup (oval)

<https://www.schmalz.com/10.01.06.03626>



SPOB1f 60x25 SI-55 SC050-AR

Part no.: 10.01.06.03626

Homepage > Vacuum Technology for Automation > Vacuum Components > Vacuum Suction Cups > Suction Cups for Packaging > SPOB1f 60x25

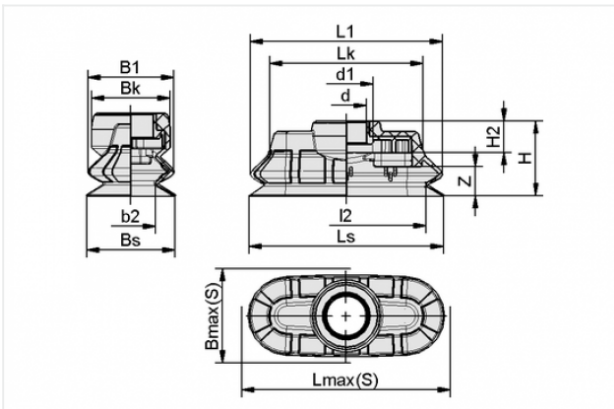
SI-55 SC050-AR

Bellows suction cup (oval) with 1.5 corrug.for dynamic handling of cardboard and rigid packaging



Dimensions (LxB): 60 x 25 mm
 Suction cup material: Silicone SI
 Material hardness: 55 °Sh
 Number of folds: 1.5

Design Data



Attribute	Value
-----------	-------

b2	13.8 mm
B1	25 mm
Bk	22 mm
Bmax(S)	27 mm
Bs	24.5 mm
d	12.4 mm
d1	17.3 mm
H	23 mm
H2	6.9 mm
I2	48.8 mm
L1	60 mm
Lk	46.9 mm

Contact to Schmalz

J. Schmalz GmbH | Johannes-Schmalz-Straße, 72293 Glatten, Deutschland | +49 7443 2403-102 | customercenter@schmalz.de

Attribute	Value
Lmax(S)	62 mm
Ls	59.5 mm
Z	9 mm

Technical Data

Attribute	Value
Suction force at -200 mbar	12.2 N
Suction force at -400 mbar	24.4 N
Suction force	36.6 N
Volume	11.535 cm ³
Workpiece width (min)	20 mm
Internal hose diameter (recom.)	8 mm
Nipple	SC 050-AR
Dimensions (LxB)	60 x 25 mm
Number of folds	1.5
Suction cup material	Silicone SI
Material hardness	55 °Sh
Weight	6.7 g
Product family	SPOB1f