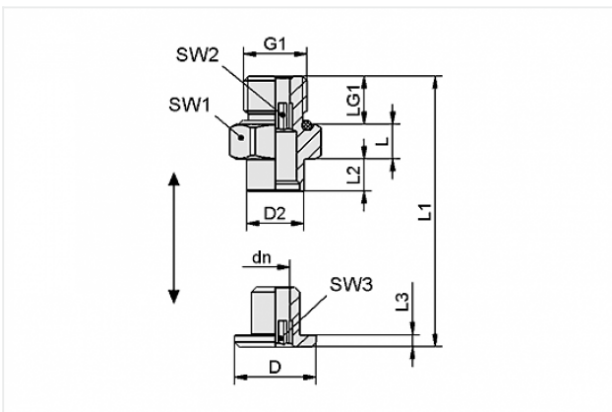


## Connection element for suction cup SchmalzConnector



Connection geometry: 050-AR  
 Vacuum connection: G1/4-M  
 Overall length: 26.5 mm  
 Fitting length: 7.2 mm  
 Nominal diameter dn: 6.1 mm

### Design Data



Attribute	Value
dn	6.1 mm
D	17 mm
D2	12 mm
G1	G1/4"-M
L	7.2 mm
L1	26.5 mm
L2	6.8 mm
L3	2.5 mm
LG1	10 mm
SW1	17 mm
SW2	6 mm
SW3	6 mm

## Technical Data

Attribute	Value
Connection geometry	050-AR
Weight	13 g

---

---