

# Bellows suction cup (round)

<https://www.schmalz.com/10.01.06.01879>



## SABT 80 NBR-60

Part no.: 10.01.06.01879

Homepage > Vacuum Technology for Automation > Vacuum Components > Vacuum Suction Cups > Suction Cups for Handling Sheet Metal >

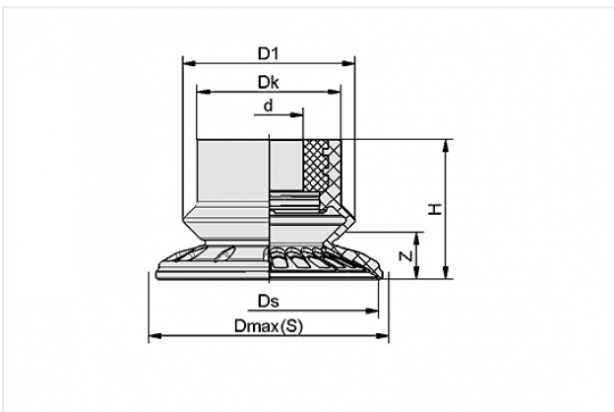
SABT 80 NBR-60

## Bellows suction cup (round) with 1.5 bellows



Size: 80  
Suction cup material:  
Nitrile rubber NBR  
Material hardness: 60 °Sh  
Number of folds: 1.5

### Design Data



Attribute	Value
-----------	-------

d	19 mm
---	-------

D1	86 mm
----	-------

Dk	40 mm
----	-------

Dmax(S)	86 mm
---------	-------

Ds	83 mm
----	-------

H	39 mm
---	-------

Z	14.3 mm
---	---------

### Technical Data

Attribute	Value
-----------	-------

Size	80
------	----

### Contact to Schmalz

J. Schmalz GmbH | Johannes-Schmalz-Straße, 72293 Glatten, Deutschland | +49 7443 2403-102 | [customercenter@schmalz.de](mailto:customercenter@schmalz.de)



<b>Attribute</b>	<b>Value</b>
Suction cup material	Nitrile rubber NBR
Number of folds	1.5
Weight	47.5 g
Product family	SABT