

# Bellows suction pad (oval)

<https://www.schmalz.com/10.01.06.03735>



## SPOB1f 35x15 SI-55 G1/8-IG

Part no.: 10.01.06.03735

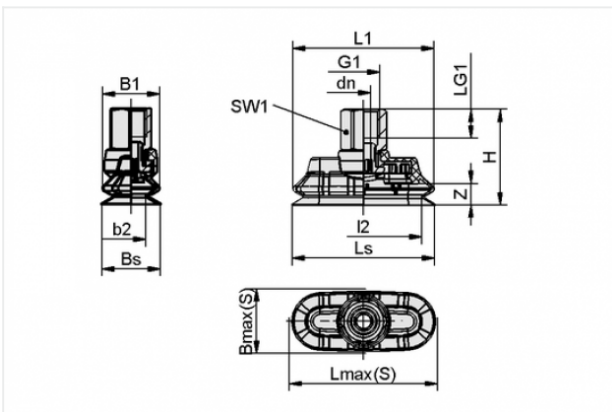
Homepage > Vacuum Technology for Automation > Vacuum Components > Vacuum Suction Cups > Suction Cups for Packaging > Bellows Suction Cups SPOB1f (Oval, 1.5 Folds) > SPOB1f 35x15 SI-55 G1/8-IG

### Bellows suction cup (oval) for high dynamic on curved, oily surfaced workpieces



Dimensions (LxB): 35 x 15 mm  
Suction cup material: Silicone SI  
Material hardness: 55 °Sh  
Number of folds: 1.5  
Thread G1: G1/8-F

#### Design Data



| Attribute | Value |
|-----------|-------|
|-----------|-------|

|         |         |
|---------|---------|
| b2      | 8 mm    |
| B1      | 15 mm   |
| Bmax(S) | 17 mm   |
| Bs      | 14.6 mm |
| dn      | 4.1 mm  |
| G1      | G1/8"-F |
| H       | 27 mm   |
| I2      | 28 mm   |
| L1      | 35 mm   |
| LG1     | 8 mm    |
| Lmax(S) | 37 mm   |
| Ls      | 34.6 mm |
| SW1     | 14 mm   |

#### Contact to Schmalz

J. Schmalz GmbH | Johannes-Schmalz-Straße, 72293 Glatten, Deutschland | +49 7443 2403-102 | [customercenter@schmalz.de](mailto:customercenter@schmalz.de)

| Attribute | Value |
|-----------|-------|
| Z         | 4 mm  |

---

## Technical Data

| Attribute                       | Value                 |
|---------------------------------|-----------------------|
| Suction force at -200 mbar      | 4.2 N                 |
| Suction force at -400 mbar      | 8.4 N                 |
| Suction force                   | 12.6 N                |
| Volume                          | 2.139 cm <sup>3</sup> |
| Workpiece width (min)           | 10 mm                 |
| Internal hose diameter (recom.) | 6 mm                  |
| Dimensions (LxB)                | 35 x 15 mm            |
| Number of folds                 | 1.5                   |
| Suction cup material            | Silicone SI           |
| Material hardness               | 55 °Sh                |
| Weight                          | 1.7 g                 |
| Product family                  | SPOB1f                |

---

## Spare Parts

### Contact to Schmalz



**SC 040-AR G1/8-IG**

Part no. 10.01.06.02496

Connection element for suction cup SchmalzConnector

Connection geometry: 040-AR

Vacuum connection: G1/8-F

Overall length: 20.8 mm

Fitting length: 14 mm

Nominal diameter dn: 3.6 mm



**SPOB1f 35x15 SI-55 SC040-AR**

Part no. 10.01.06.03625

Bellows suction cup (oval) with 1.5 corrug.for dynamic handling of cardboard and rigid packaging

Dimensions (LxB): 35 x 15 mm

Suction cup material: Silicone SI

Material hardness: 55 °Sh

Number of folds: 1.5