

Bellows suction cup (oval)

<https://www.schmalz.com/10.01.06.03625>



SPOB1f 35x15 SI-55 SC040-AR

Part no.: 10.01.06.03625

Homepage > Vacuum Technology for Automation > Vacuum Components > Vacuum Suction Cups > Suction Cups for Packaging > SPOB1f 35x15

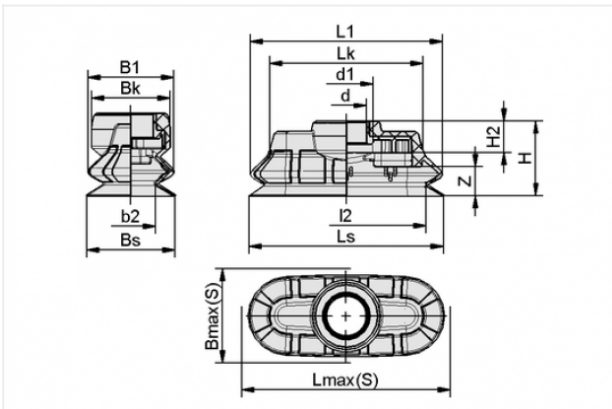
SI-55 SC040-AR

Bellows suction cup (oval) with 1.5 corrug.for dynamic handling of cardboard and rigid packaging



Dimensions (LxB): 35 x 15 mm
Suction cup material: Silicone SI
Material hardness: 55 °Sh
Number of folds: 1.5

Design Data



Attribute	Value
-----------	-------

b2	8 mm
B1	15 mm
Bk	14 mm
Bmax(S)	17 mm
Bs	14.6 mm
d	8.3 mm
d1	11 mm
H	13 mm
H2	5 mm
L2	28 mm
L1	35 mm
Lk	28.5 mm

Contact to Schmalz

J. Schmalz GmbH | Johannes-Schmalz-Straße, 72293 Glatten, Deutschland | +49 7443 2403-102 | customercenter@schmalz.de

Attribute	Value
Lmax(S)	37 mm
Ls	34.6 mm
Z	4 mm

Technical Data

Attribute	Value
Suction force at -200 mbar	4.2 N
Suction force at -400 mbar	8.4 N
Suction force	12.6 N
Volume	2.139 cm ³
Workpiece width (min)	10 mm
Internal hose diameter (recom.)	6 mm
Nipple	SC 040-AR
Dimensions (LxB)	35 x 15 mm
Number of folds	1.5
Suction cup material	Silicone SI
Material hardness	55 °Sh
Weight	1.7 g
Product family	SPOB1f