

Bellows suction pad (oval)

<https://www.schmalz.com/10.01.06.03736>



SPOB1f 35x15 SI-55 G1/8-AG

Part no.: 10.01.06.03736

Homepage > Vacuum Technology for Automation > Vacuum Components > Vacuum Suction Cups > Suction Cups for Packaging > Bellows Suction

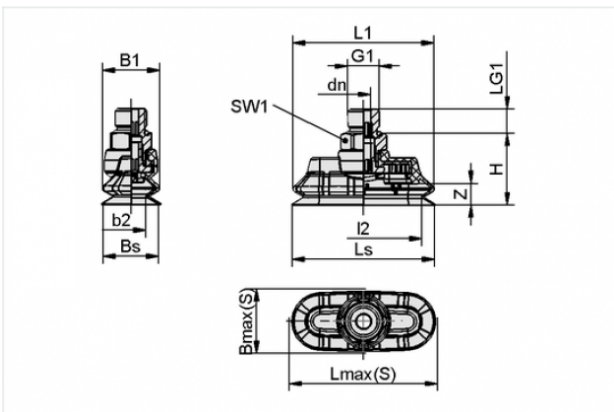
Cups SPOB1f (Oval, 1.5 Folds) > SPOB1f 35x15 SI-55 G1/8-AG

Bellows suction cup (oval) for high dynamic on curved, oily surfaced workpieces



Dimensions (LxB): 35 x 15 mm
Suction cup material: Silicone SI
Material hardness: 55 °Sh
Number of folds: 1.5
Thread G1: G1/8-M

Design Data



Attribute Value

b2	8 mm
B1	15 mm
Bmax(S)	17 mm
Bs	14.6 mm
dn	4.1 mm
G1	G1/8"-M
H	19 mm
I2	28 mm
L1	35 mm
LG1	7.5 mm
Lmax(S)	37 mm
Ls	34.6 mm
SW1	14 mm

Contact to Schmalz

J. Schmalz GmbH | Johannes-Schmalz-Straße, 72293 Glatten, Deutschland | +49 7443 2403-102 | customercenter@schmalz.de

Attribute	Value
Z	4 mm

Technical Data

Attribute	Value
Suction force at -200 mbar	4.2 N
Suction force at -400 mbar	8.4 N
Suction force	12.6 N
Volume	2.139 cm ³
Workpiece width (min)	10 mm
Internal hose diameter (recom.)	6 mm
Dimensions (LxB)	35 x 15 mm
Number of folds	1.5
Suction cup material	Silicone SI
Material hardness	55 °Sh
Weight	1.7 g
Product family	SPOB1f

Spare Parts

Contact to Schmalz



SC 040-AR G1/8-AG

Part no. 10.01.06.02495

Connection element for suction cup SchmalzConnector

Connection geometry: 040-AR

Vacuum connection: G1/8-M

Overall length: 20.3 mm

Fitting length: 6 mm

Nominal diameter dn: 3.6 mm



SPOB1f 35x15 SI-55 SC040-AR

Part no. 10.01.06.03625

Bellows suction cup (oval) with 1.5 corrug.for dynamic handling of cardboard and rigid packaging

Dimensions (LxB): 35 x 15 mm

Suction cup material: Silicone SI

Material hardness: 55 °Sh

Number of folds: 1.5