

# Bellows suction cup (round)

<https://www.schmalz.com/10.01.06.01877>



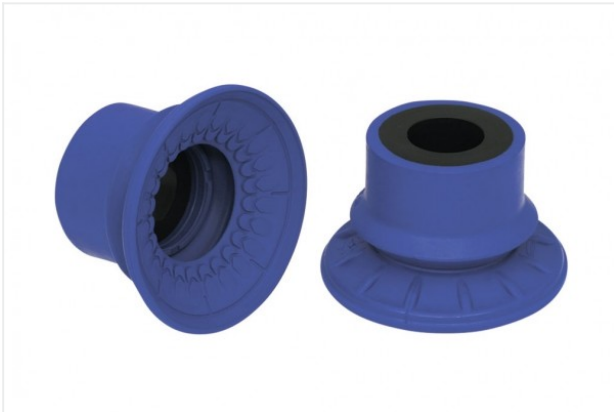
## SABT 60 NBR-60

Part no.: 10.01.06.01877

Homepage > Vacuum Technology for Automation > Vacuum Components > Vacuum Suction Cups > Suction Cups for Handling Sheet Metal >

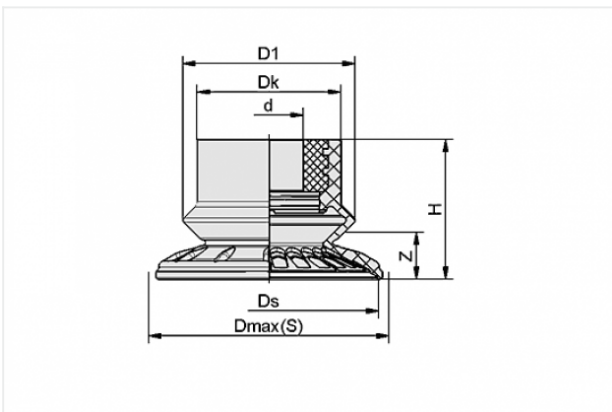
SABT 60 NBR-60

## Bellows suction cup (round) with 1.5 bellows



Size: 60  
Suction cup material:  
Nitrile rubber NBR  
Material hardness: 60 °Sh  
Number of folds: 1.5

### Design Data



| Attribute | Value |
|-----------|-------|
|-----------|-------|

|   |       |
|---|-------|
| d | 19 mm |
|---|-------|

|    |       |
|----|-------|
| D1 | 66 mm |
|----|-------|

|    |       |
|----|-------|
| Dk | 40 mm |
|----|-------|

|         |       |
|---------|-------|
| Dmax(S) | 66 mm |
|---------|-------|

|    |       |
|----|-------|
| Ds | 63 mm |
|----|-------|

|   |       |
|---|-------|
| H | 39 mm |
|---|-------|

|   |         |
|---|---------|
| Z | 14.3 mm |
|---|---------|

### Technical Data

| Attribute | Value |
|-----------|-------|
|-----------|-------|

|      |    |
|------|----|
| Size | 60 |
|------|----|

### Contact to Schmalz

J. Schmalz GmbH | Johannes-Schmalz-Straße, 72293 Glatten, Deutschland | +49 7443 2403-102 | [customercenter@schmalz.de](mailto:customercenter@schmalz.de)



| <b>Attribute</b>     | <b>Value</b>       |
|----------------------|--------------------|
| Suction cup material | Nitrile rubber NBR |
| Number of folds      | 1.5                |
| Weight               | 31.5 g             |
| Product family       | SABT               |

---

---