

Bellows suction cup HT2 (round)

<https://www.schmalz.com/10.01.06.03356>



SAB 80 HT2-65 G1/4-IG

Part no.: 10.01.06.03356

Homepage > Vacuum Technology for Automation > Vacuum Components > Vacuum Suction Cups > Suction Cups for Handling Sheet Metal >

Bellows Suction Cups SAB HT2 (1.5 Folds) > SAB 80 HT2-65 G1/4-IG

Bellows suction cup (round) for handling hot workpieces



Size: 80

Suction cup material:

High temp material HT2

Material hardness: 65 °Sh

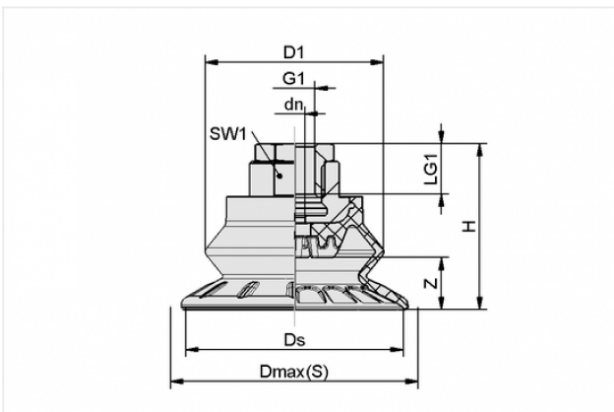
Temperature resistance: 250 °C

Vacuum connection: G1/4-F

Number of folds: 1.5

Nipple material: Aluminium

Design Data



Attribute	Value
-----------	-------

dn	6 mm
----	------

D1	65 mm
----	-------

Dmax(S)	88 mm
---------	-------

Ds	81.2 mm
----	---------

G1	G1/4"-F
----	---------

H	54.8 mm
---	---------

LG1	15 mm
-----	-------

SW1	22 mm
-----	-------

Z	22 mm
---	-------

Contact to Schmalz

J. Schmalz GmbH | Johannes-Schmalz-Straße, 72293 Glatten, Deutschland | +49 7443 2403-102 | customercenter@schmalz.de

Technical Data

Attribute	Value
Suction force	135 N
Pull-off force	238 N
Lateral force	217 N
Volume	75.4 cm ³
Curve radius (min) (convex)	40 mm
Internal hose diameter (recom.)	6 mm
Size	80
Connection	G1/4"-F
Suction cup material	High temp material HT2
Material hardness	65 °Sh
Weight	99.1 g
Number of folds	1.5
Product family	SAB