

# Bellows suction cup HT2 (round)

<https://www.schmalz.com/10.01.06.03357>



## SAB 80 HT2-65 G1/4-AG

Part no.: 10.01.06.03357

Homepage > Vacuum Technology for Automation > Vacuum Components > Vacuum Suction Cups > Suction Cups for Handling Sheet Metal >

Bellows Suction Cups SAB HT2 (1.5 Folds) > SAB 80 HT2-65 G1/4-AG

## Bellows suction cup (round) for handling hot workpieces



Size: 80

Suction cup material:

High temp material HT2

Material hardness: 65 °Sh

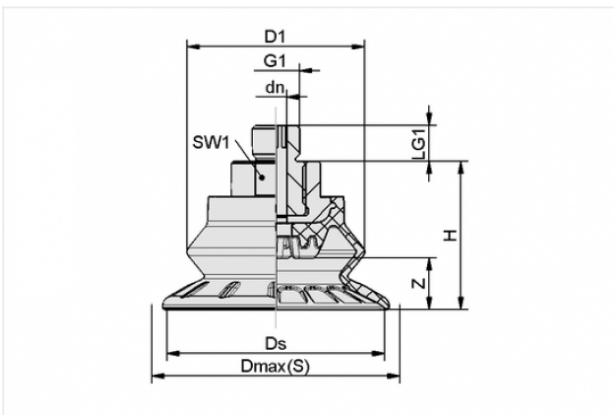
Temperature resistance: 250 °C

Vacuum connection: G1/4"-M

Number of folds: 1.5

Nipple material: Aluminium

## Design Data



| Attribute | Value |
|-----------|-------|
|-----------|-------|

|    |      |
|----|------|
| dn | 6 mm |
|----|------|

|    |       |
|----|-------|
| D1 | 65 mm |
|----|-------|

|         |       |
|---------|-------|
| Dmax(S) | 88 mm |
|---------|-------|

|    |         |
|----|---------|
| Ds | 81.2 mm |
|----|---------|

|    |         |
|----|---------|
| G1 | G1/4"-M |
|----|---------|

|   |         |
|---|---------|
| H | 49.8 mm |
|---|---------|

|     |       |
|-----|-------|
| LG1 | 10 mm |
|-----|-------|

|     |       |
|-----|-------|
| SW1 | 22 mm |
|-----|-------|

|   |       |
|---|-------|
| Z | 22 mm |
|---|-------|

## Contact to Schmalz

J. Schmalz GmbH | Johannes-Schmalz-Straße, 72293 Glatten, Deutschland | +49 7443 2403-102 | [customercenter@schmalz.de](mailto:customercenter@schmalz.de)

## Technical Data

| Attribute                       | Value                  |
|---------------------------------|------------------------|
| Suction force                   | 135 N                  |
| Pull-off force                  | 238 N                  |
| Lateral force                   | 217 N                  |
| Volume                          | 75.4 cm <sup>3</sup>   |
| Curve radius (min) (convex)     | 40 mm                  |
| Internal hose diameter (recom.) | 6 mm                   |
| Size                            | 80                     |
| Connection                      | G1/4"-M                |
| Suction cup material            | High temp material HT2 |
| Material hardness               | 65 °Sh                 |
| Weight                          | 94.5 g                 |
| Number of folds                 | 1.5                    |
| Product family                  | SAB                    |