

# Bellows suction cup (oval)

<https://www.schmalz.com/10.01.06.03512>



## SPOB1 100x40 ED-65 G1/4-AG

Part no.: 10.01.06.03512

Homepage > Vacuum Technology for Automation > Vacuum Components > Vacuum Suction Cups > Suction Cups for Packaging > Bellows Suction

Cups SPOB1 (Oval, 1.5 Folds) > SPOB1 100x40 ED-65 G1/4-AG

## Bellows suction cup (oval) with 1.5 corrug.for dynamic handling of cardboard and rigid packaging



Dimensions (LxB): 100 x 40 mm

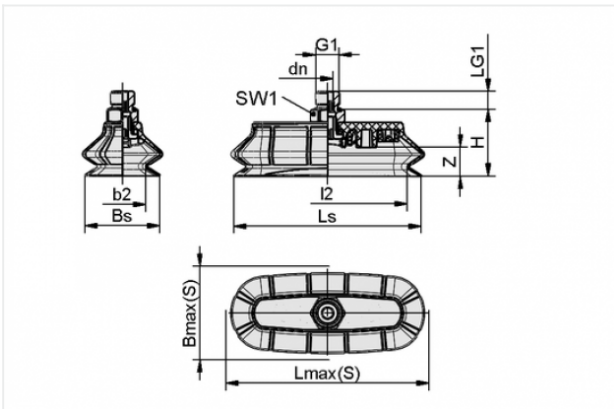
Suction cup material: Elastodur

Material hardness: 65 °Sh

Number of folds: 1.5

Thread G1: G1/4-M

### Design Data



Attribute	Value
-----------	-------

b2	25.9 mm
----	---------

Bmax(S)	52 mm
---------	-------

Bs	41.4 mm
----	---------

dn	6.1 mm
----	--------

G1	G1/4"-M
----	---------

H	37 mm
---	-------

l2	88.9 mm
----	---------

LG1	10 mm
-----	-------

Lmax(S)	113 mm
---------	--------

Ls	104.4 mm
----	----------

SW1	17 mm
-----	-------

Z	16 mm
---	-------

### Contact to Schmalz

J. Schmalz GmbH | Johannes-Schmalz-Straße, 72293 Glatten, Deutschland | +49 7443 2403-102 | [customercenter@schmalz.de](mailto:customercenter@schmalz.de)

---

## Technical Data

Attribute	Value
Suction force	111.2 N
Pull-off force	131.4 N
Lateral force	76.9 N
Volume	60.1 cm <sup>3</sup>
Curve radius (min) (convex)	50 mm
Internal hose diameter (recom.)	6 mm
Dimensions (LxB)	100 x 40 mm
Number of folds	1.5
Suction cup material	Elastodur
Material hardness	65 °Sh
Weight	41 g
Product family	SPOB1

### Note:

- Suction force: The specified suction forces are theoretical values at a vacuum of -0.6 bar and with a smooth, dry workpiece surface - they do not include a safety factor
- Hose diameter: The recommended hose diameter refers to a hose length of approx. 2 m

---

## Spare Parts

### Contact to Schmalz

**SC 050-AR G1/4-AG**

Part no. 10.01.06.02491

Connection element for suction cup SchmalzConnector

Connection geometry: 050-AR

Vacuum connection: G1/4-M

Overall length: 26.5 mm

Fitting length: 7.2 mm

Nominal diameter dn: 6.1 mm

**SPOB1 100x40 ED-65 SC050**

Part no. 10.01.06.02461

Bellows suction cup (oval) with 1.5 corrug.for dynamic handling of cardboard and rigid packaging

Dimensions (LxB): 100 x 40 mm

Suction cup material: Elastodur

Material hardness: 65 °Sh

Number of folds: 1.5

**Accessories****SIEB 17.5x0.8 MS-A2 280 0.28/0.16**

Part no. 10.07.01.00308

Screen

External diameter D: 17.5 mm

Length L: 0.8 mm

Material: Brass / Stainless steel

Filter pore size: 280 µm

Mesh: 0.28 mm

Wire size: 0.16 mm