

Bellows suction cup HT2 (round)

<https://www.schmalz.com/10.01.06.03354>



SAB 60 HT2-65 G3/8-IG

Part no.: 10.01.06.03354

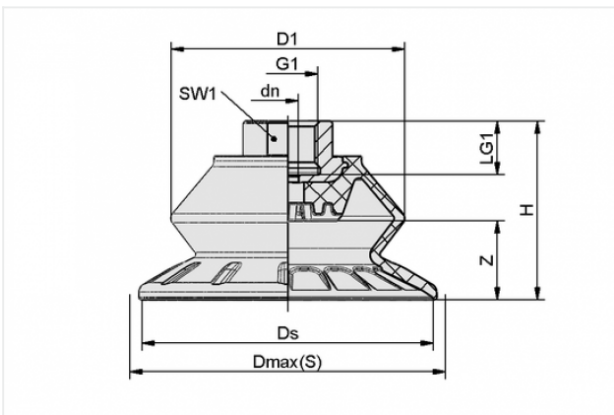
Homepage > Vacuum Technology for Automation > Vacuum Components > Vacuum Suction Cups > Bellows Suction Cups (Round) > Bellows Suction Cups SAB HT2 (1.5 Folds) > SAB 60 HT2-65 G3/8-IG

Bellows suction cup (round) for handling hot workpieces



Size: 60
Suction cup material:
High temp material HT2
Material hardness: 65 °Sh
Temperature resistance: 250 °C
Vacuum connection: G3/8-F
Number of folds: 1.5
Nipple material: Aluminium

Design Data



Attribute	Value
-----------	-------

dn	6 mm
D1	49.5 mm
Dmax(S)	67 mm
Ds	61.2 mm
G1	G3/8"-F
H	41.3 mm
LG1	15 mm
SW1	22 mm
Z	14.5 mm

Contact to Schmalz

J. Schmalz GmbH | Johannes-Schmalz-Straße, 72293 Glatten, Deutschland | +49 7443 2403-102 | customercenter@schmalz.de

Technical Data

Attribute	Value
Suction force	82 N
Pull-off force	136 N
Lateral force	126 N
Volume	32 cm ³
Curve radius (min) (convex)	30 mm
Internal hose diameter (recom.)	6 mm
Size	60
Connection	G3/8"-F
Suction cup material	High temp material HT2
Material hardness	65 °Sh
Weight	51.5 g
Number of folds	1.5
Product family	SAB