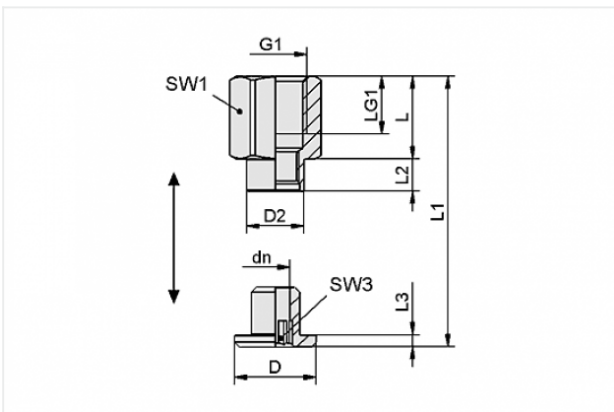


Connection element for suction cup SchmalzConnector



Connection geometry: 040-AR
 Vacuum connection: G1/8-F
 Overall length: 20.8 mm
 Fitting length: 14 mm
 Nominal diameter dn: 3.6 mm

Design Data



Attribute	Value
dn	3.6 mm
D	10.3 mm
D2	8 mm
G1	G1/8"-F
L	14 mm
L1	20.8 mm
L2	4.8 mm
L3	2 mm
LG1	8 mm
SW1	14 mm
SW3	4 mm

Technical Data

Attribute	Value
Connection geometry	040-AR
Weight	6.6 g
