

# Bellows suction cup HT2 (round)

<https://www.schmalz.com/10.01.06.03450>



## SAB 60 HT2-65 G1/4-AG

Part no.: 10.01.06.03450

Homepage > Vacuum Technology for Automation > Vacuum Components > Vacuum Suction Cups > Suction Cups for Handling Sheet Metal >

Bellows Suction Cups SAB HT2 (1.5 Folds) > SAB 60 HT2-65 G1/4-AG

## Bellows suction cup (round) for handling hot workpieces



Size: 60

Suction cup material:

High temp material HT2

Material hardness: 65 °Sh

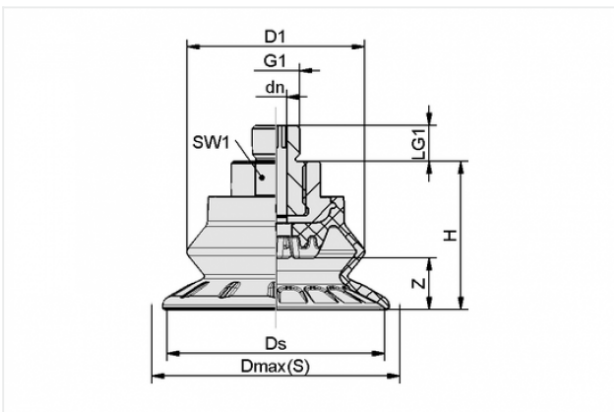
Temperature resistance: 250 °C

Vacuum connection: G1/4-M

Number of folds: 1.5

Nipple material: Aluminium

## Design Data



Attribute	Value
-----------	-------

dn	6 mm
----	------

D1	49.5 mm
----	---------

Dmax(S)	67 mm
---------	-------

Ds	61.2 mm
----	---------

G1	G1/4"-M
----	---------

H	41.3 mm
---	---------

LG1	10 mm
-----	-------

SW1	22 mm
-----	-------

Z	14.5 mm
---	---------

## Contact to Schmalz

J. Schmalz GmbH | Johannes-Schmalz-Straße, 72293 Glatten, Deutschland | +49 7443 2403-102 | [customercenter@schmalz.de](mailto:customercenter@schmalz.de)

## Technical Data

Attribute	Value
Suction force	82 N
Pull-off force	136 N
Lateral force	126 N
Volume	32 cm <sup>3</sup>
Curve radius (min) (convex)	30 mm
Internal hose diameter (recom.)	6 mm
Size	60
Connection	G1/4"-M
Suction cup material	High temp material HT2
Material hardness	65 °Sh
Weight	60.4 g
Number of folds	1.5
Product family	SAB