

# Bellows suction cup (oval)

<https://www.schmalz.com/10.01.06.03511>



SPOB1 60x20 ED-65 G1/8-IG

Part no.: 10.01.06.03511

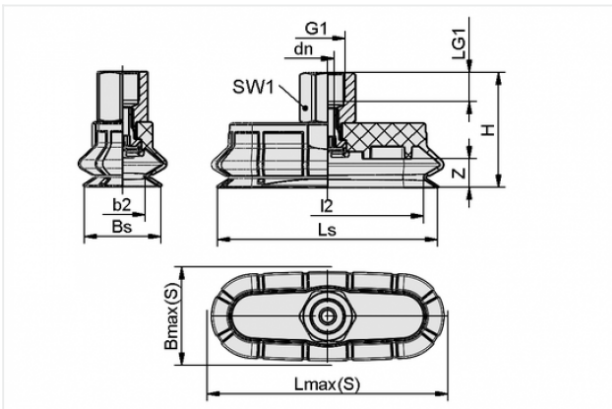
Homepage > Vacuum Technology for Automation > Vacuum Components > Vacuum Suction Cups > Suction Cups for Packaging > Bellows Suction Cups SPOB1 (Oval, 1.5 Folds) > SPOB1 60x20 ED-65 G1/8-IG

## Bellows suction cup (oval) with 1.5 corrug.for dynamic handling of cardboard and rigid packaging



Dimensions (LxB): 60 x 20 mm  
Suction cup material: Elastodur  
Material hardness: 65 °Sh  
Number of folds: 1.5  
Thread G1: G1/8-F

### Design Data



Attribute	Value
-----------	-------

b2	12.8 mm
----	---------

Bmax(S)	27.5 mm
---------	---------

Bs	21.4 mm
----	---------

dn	3.6 mm
----	--------

G1	G1/8"-F
----	---------

H	32 mm
---	-------

l2	53.5 mm
----	---------

LG1	8 mm
-----	------

Lmax(S)	67 mm
---------	-------

Ls	61.4 mm
----	---------

SW1	14 mm
-----	-------

Z	8 mm
---	------

### Contact to Schmalz

J. Schmalz GmbH | Johannes-Schmalz-Straße, 72293 Glatten, Deutschland | +49 7443 2403-102 | [customercenter@schmalz.de](mailto:customercenter@schmalz.de)

---

## Technical Data

Attribute	Value
Suction force	32.5 N
Pull-off force	39.8 N
Lateral force	32.2 N
Volume	11 cm <sup>3</sup>
Curve radius (min) (convex)	25 mm
Internal hose diameter (recom.)	6 mm
Dimensions (LxB)	60 x 20 mm
Number of folds	1.5
Suction cup material	Elastodur
Material hardness	65 °Sh
Weight	16 g
Product family	SPOB1

### Note:

- Suction force: The specified suction forces are theoretical values at a vacuum of -0.6 bar and with a smooth, dry workpiece surface - they do not include a safety factor
- Hose diameter: The recommended hose diameter refers to a hose length of approx. 2 m

---

## Spare Parts

### Contact to Schmalz

**SC 040-AR G1/8-IG**

Part no. 10.01.06.02496

Connection element for suction cup SchmalzConnector

Connection geometry: 040-AR

Vacuum connection: G1/8-F

Overall length: 20.8 mm

Fitting length: 14 mm

Nominal diameter dn: 3.6 mm

**SPOB1 60x20 ED-65 SC040-AR**

Part no. 10.01.06.02462

Bellows suction cup (oval) with 1.5 corrug. for dynamic handling of cardboard and rigid packaging

Dimensions (LxB): 60 x 20 mm

Suction cup material: Elastodur

Material hardness: 65 °Sh

Number of folds: 1.5

**Accessories****SIEB 11x1 MS-A2 280 0.28/0.16**

Part no. 10.07.01.00309

Screen

External diameter D: 11 mm

Length L: 1 mm

Material: Brass / Stainless steel

Filter pore size: 280 µm

Mesh: 0.28 mm

Wire size: 0.16 mm