

Bellows suction cup (oval)

<https://www.schmalz.com/10.01.06.02462>



SPOB1 60x20 ED-65 SC040-AR

Part no.: 10.01.06.02462

Homepage > Vacuum Technology for Automation > Vacuum Components > Vacuum Suction Cups > Suction Cups for Packaging > SPOB1 60x20

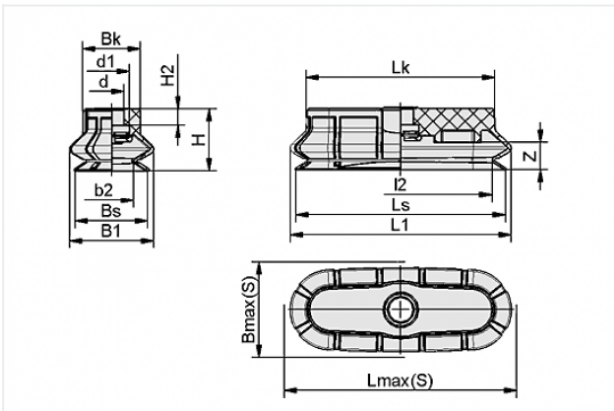
ED-65 SC040-AR

Bellows suction cup (oval) with 1.5 corrug.for dynamic handling of cardboard and rigid packaging



Dimensions (LxB): 60 x 20 mm
 Suction cup material: Elastodur
 Material hardness: 65 °Sh
 Number of folds: 1.5

Design Data



Attribute	Value
-----------	-------

b2	12.8 mm
B1	24.6 mm
Bk	16.8 mm
Bmax(S)	27.5 mm
Bs	21.4 mm
d	7.3 mm
d1	10.5 mm
H	18 mm
H2	4.8 mm
L2	53.4 mm
L1	64.6 mm
Lk	55.1 mm

Contact to Schmalz

J. Schmalz GmbH | Johannes-Schmalz-Straße, 72293 Glatten, Deutschland | +49 7443 2403-102 | customercenter@schmalz.de

Attribute	Value
Lmax(S)	67 mm
Ls	61.4 mm
Z	8 mm

Technical Data

Attribute	Value
Suction force	32.5 N
Pull-off force	39.8 N
Lateral force	32.2 N
Volume	11 cm ³
Curve radius (min) (convex)	25 mm
Internal hose diameter (recom.)	6 mm
Dimensions (LxB)	60 x 20 mm
Nipple	SC 040-AR
Number of folds	1.5
Suction cup material	Elastodur
Material hardness	65 °Sh
Weight	7.4 g
Product family	SPOB1