

Bellows suction cup (oval)

<https://www.schmalz.com/10.01.06.03510>



SPOB1 60x20 ED-65 G1/8-AG

Part no.: 10.01.06.03510

Homepage > Vacuum Technology for Automation > Vacuum Components > Vacuum Suction Cups > Suction Cups for Packaging > Bellows Suction

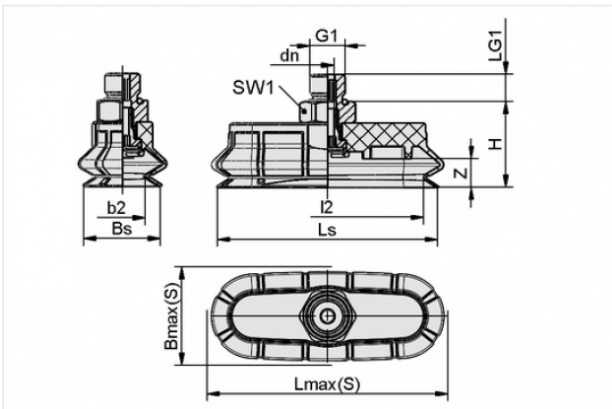
Cups SPOB1 (Oval, 1.5 Folds) > SPOB1 60x20 ED-65 G1/8-AG

Bellows suction cup (oval) with 1.5 corrug.for dynamic handling of cardboard and rigid packaging



Dimensions (LxB): 60 x 20 mm
Suction cup material: Elastodur
Material hardness: 65 °Sh
Number of folds: 1.5
Thread G1: G1/8"-M

Design Data



Attribute	Value
b2	12.8 mm
Bmax(S)	27.5 mm
Bs	21.4 mm
dn	3.6 mm
G1	G1/8"-M
H	24 mm
l2	53.5 mm
LG1	7.5 mm
Lmax(S)	67 mm
Ls	61.4 mm
SW1	14 mm
Z	8 mm

Contact to Schmalz

J. Schmalz GmbH | Johannes-Schmalz-Straße, 72293 Glatten, Deutschland | +49 7443 2403-102 | customercenter@schmalz.de

Technical Data

Attribute	Value
Suction force	32.5 N
Pull-off force	39.8 N
Lateral force	32.2 N
Volume	11 cm ³
Curve radius (min) (convex)	25 mm
Internal hose diameter (recom.)	6 mm
Dimensions (LxB)	60 x 20 mm
Number of folds	1.5
Suction cup material	Elastodur
Material hardness	65 °Sh
Weight	11 g
Product family	SPOB1

Note:

- Suction force: The specified suction forces are theoretical values at a vacuum of -0.6 bar and with a smooth, dry workpiece surface - they do not include a safety factor
- Hose diameter: The recommended hose diameter refers to a hose length of approx. 2 m

Spare Parts

Contact to Schmalz

**SC 040-AR G1/8-AG**

Part no. 10.01.06.02495

Connection element for suction cup SchmalzConnector

Connection geometry: 040-AR

Vacuum connection: G1/8-M

Overall length: 20.3 mm

Fitting length: 6 mm

Nominal diameter dn: 3.6 mm

**SPOB1 60x20 ED-65 SC040-AR**

Part no. 10.01.06.02462

Bellows suction cup (oval) with 1.5 corrug.for dynamic handling of cardboard and rigid packaging

Dimensions (LxB): 60 x 20 mm

Suction cup material: Elastodur

Material hardness: 65 °Sh

Number of folds: 1.5

Accessories**SIEB 11x1 MS-A2 280 0.28/0.16**

Part no. 10.07.01.00309

Screen

External diameter D: 11 mm

Length L: 1 mm

Material: Brass / Stainless steel

Filter pore size: 280 µm

Mesh: 0.28 mm

Wire size: 0.16 mm