

# Bellows suction cup HT2 (round)

<https://www.schmalz.com/10.01.06.02429>



## SAB 40 HT2-65 G3/8-IG

Part no.: 10.01.06.02429

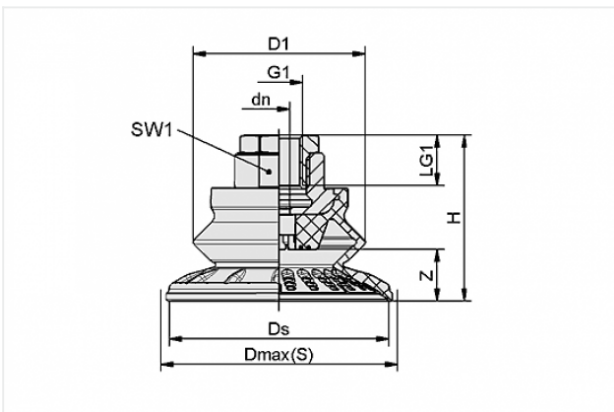
Homepage > Vacuum Technology for Automation > Vacuum Components > Vacuum Suction Cups > Bellows Suction Cups (Round) > Bellows Suction Cups SAB HT2 (1.5 Folds) > SAB 40 HT2-65 G3/8-IG

### Bellows suction cup (round) for handling hot workpieces



Size: 40  
Suction cup material:  
High temp material HT2  
Material hardness: 65 °Sh  
Temperature resistance: 250 °C  
Vacuum connection: G3/8-F  
Number of folds: 1.5  
Nipple material: Brass, nickel-plated

### Design Data



Attribute	Value
-----------	-------

dn	4 mm
D1	32 mm
Dmax(S)	45 mm
Ds	40.1 mm
G1	G3/8"-F
H	44 mm
LG1	9.5 mm
SW1	22 mm
Z	10 mm

### Contact to Schmalz

J. Schmalz GmbH | Johannes-Schmalz-Straße, 72293 Glatten, Deutschland | +49 7443 2403-102 | [customercenter@schmalz.de](mailto:customercenter@schmalz.de)

## Technical Data

Attribute	Value
Suction force	38 N
Pull-off force	59 N
Lateral force	34 N
Volume	7 cm <sup>3</sup>
Curve radius (min) (convex)	40 mm
Internal hose diameter (recom.)	4 mm
Size	40
Connection	G3/8"-F
Suction cup material	High temp material HT2
Material hardness	65 °Sh
Weight	50.2 g
Number of folds	1.5
Product family	SAB