

Bellows suction cup HT2 (round)

<https://www.schmalz.com/10.01.06.02428>



SAB 40 HT2-65 G1/4-AG

Part no.: 10.01.06.02428

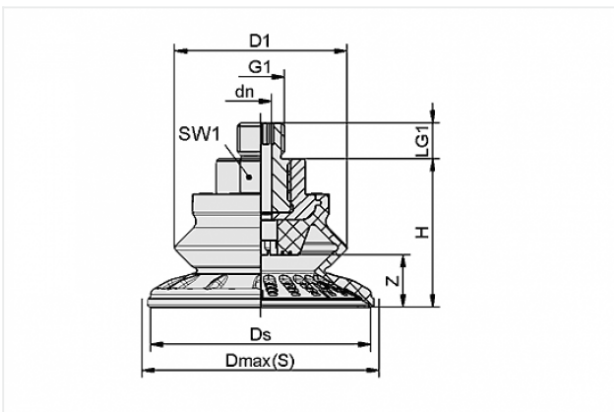
Homepage > Vacuum Technology for Automation > Vacuum Components > Vacuum Suction Cups > Bellows Suction Cups (Round) > Bellows Suction Cups SAB HT2 (1.5 Folds) > SAB 40 HT2-65 G1/4-AG

Bellows suction cup (round) for handling hot workpieces



Size: 40
Suction cup material:
High temp material HT2
Material hardness: 65 °Sh
Temperature resistance: 250 °C
Vacuum connection: G1/4-M
Number of folds: 1.5
Nipple material: Aluminium

Design Data



Attribute	Value
-----------	-------

dn	4 mm
D1	32 mm
Dmax(S)	45 mm
Ds	40.1 mm
G1	G1/4"-M
H	29 mm
LG1	10 mm
SW1	17 mm
Z	10 mm

Contact to Schmalz

J. Schmalz GmbH | Johannes-Schmalz-Straße, 72293 Glatten, Deutschland | +49 7443 2403-102 | customercenter@schmalz.de

Technical Data

Attribute	Value
Suction force	38 N
Pull-off force	59 N
Lateral force	34 N
Volume	7 cm ³
Curve radius (min) (convex)	40 mm
Internal hose diameter (recom.)	4 mm
Size	40
Connection	G1/4"-M
Suction cup material	High temp material HT2
Material hardness	65 °Sh
Weight	23.1 g
Number of folds	1.5
Product family	SAB